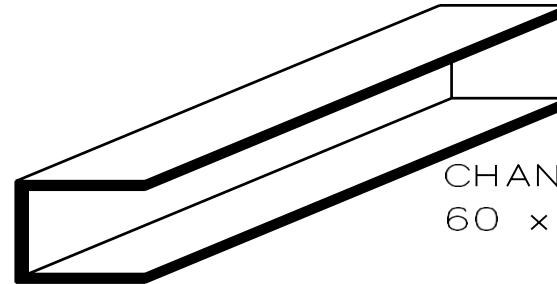
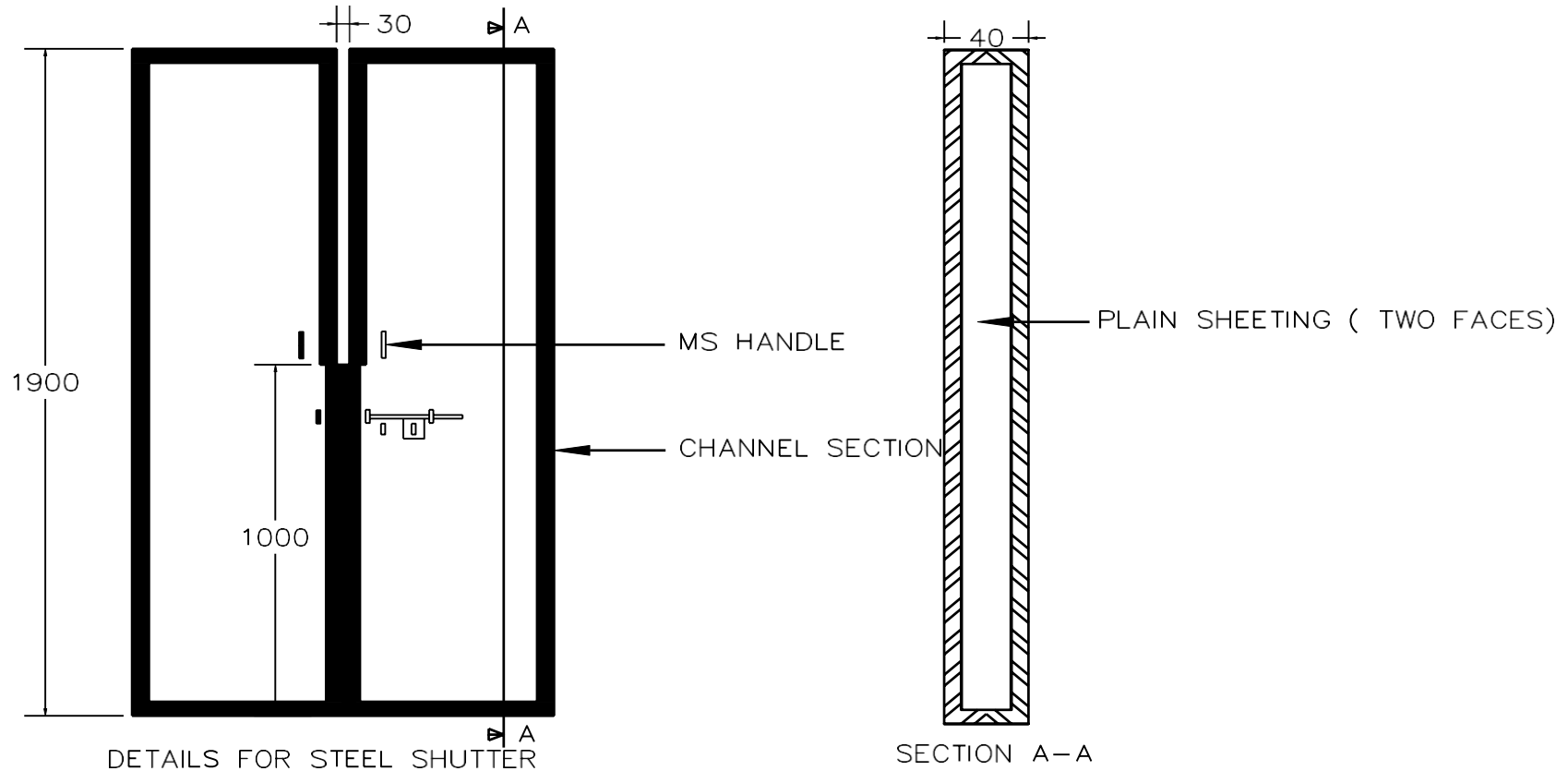


ANGLE SECTION  
60 x 60 x 6 mm



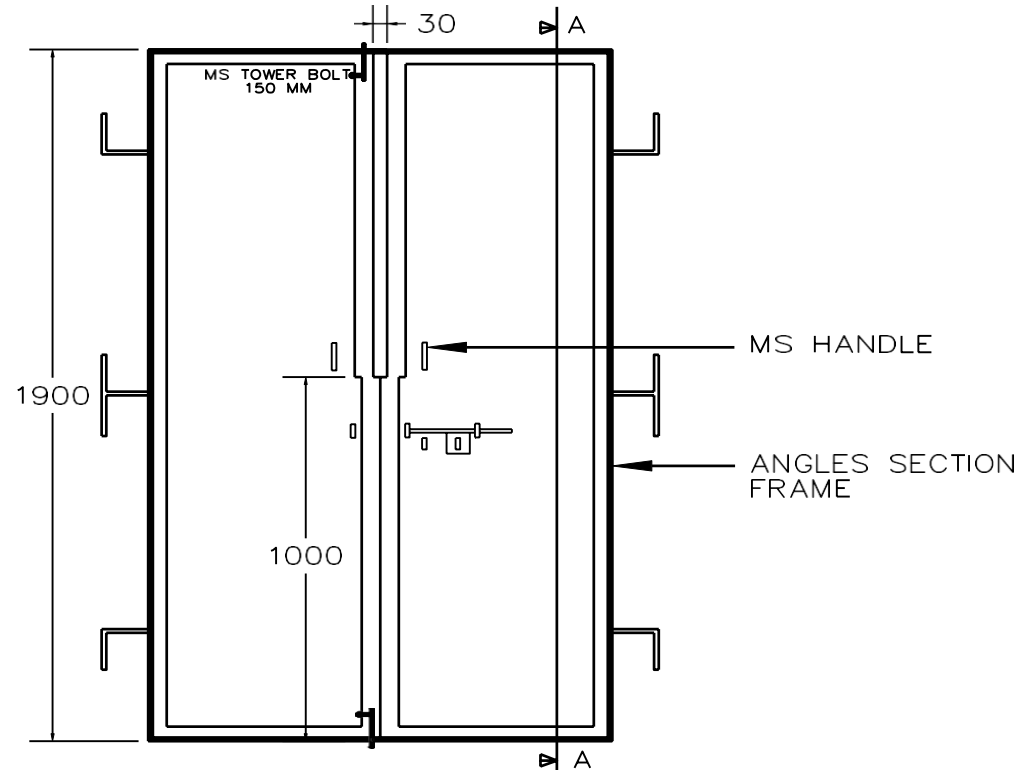
CHANNEL SECTION  
60 x 60 x 60 x 6 mm

HYDROLOGY AND WATER RESOURCES SERVICES DIVISION  NATIONAL CENTER FOR HYDROLOGY & METEOROLOGY	DRAWING TITLE: Details for MS Angle& MS Channel	DRAWN BY: Pashupati Sharma, Principal Hyd/Met Officer, NCHM	DATE:		SCALE: NTS	
	PROJECT TITLE: Construction of Cableway Station at Khomachhu, Lhuentse	CHECKED BY: Mr. Jamyang Zangpo, Engineer, HWRSD	SHEET NUMBER:	REVISION NUMBER:	REVISION NOTE:	
		APPROVED BY:	NOTES: All dimensions are in mm unless otherwise stated. Dimensions shall be read and drawings shall not be scaled.			



NOTE: ALL DIMENSION ARE IN MM

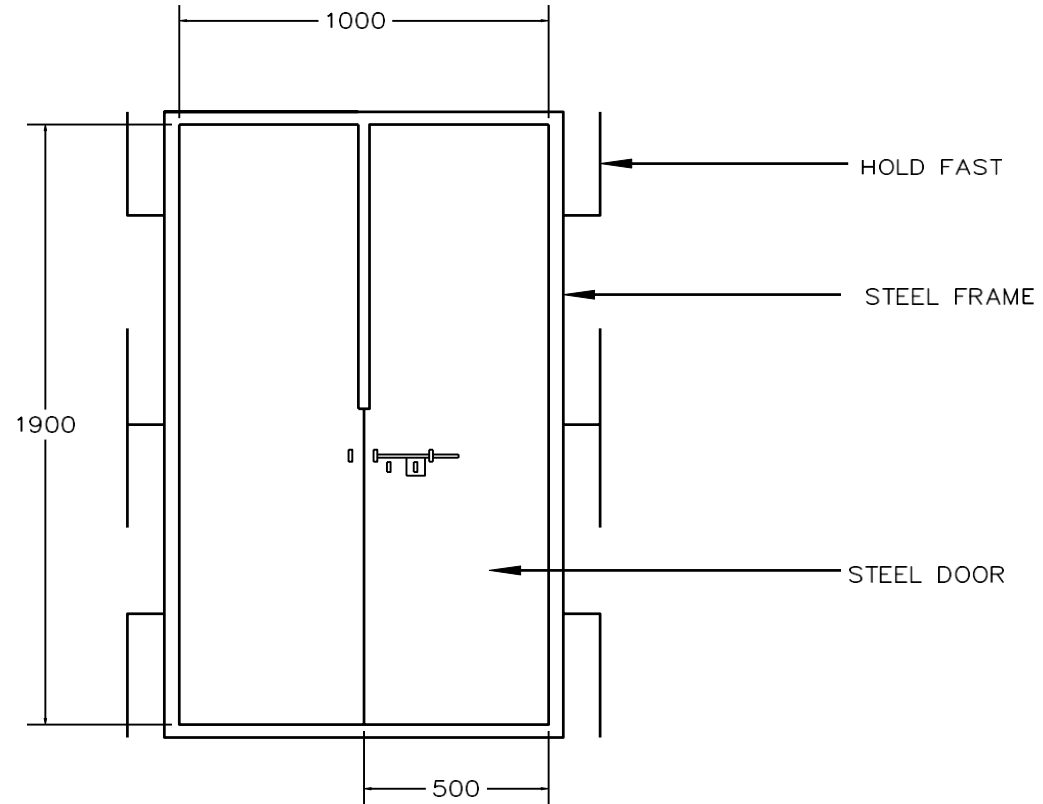
HYDROLOGY AND WATER RESOURCES SERVICES DIVISION  NATIONAL CENTER FOR HYDROLOGY & METEOROLOGY	DRAWING TITLE: Details for SteelShutter	DRAWN BY: Pashupati Sharma, Principal Hyd/Met Officer, NCHM	DATE:		SCALE: NTS	
	PROJECT TITLE: Construction of Cableway Station at Khomachhu, Lhuentse	CHECKED BY: Mr. Jamyang Zangpo, Engineer, HWRSD	SHEET NUMBER:	REVISION NUMBER:	REVISION NOTE:	
		APPROVED BY:	NOTES: All dimensions are in mm unless otherwise stated. Dimensions shall be read and drawings shall not be scaled.			



DETAILS FOR STEEL SHUTTER WITH FRAME

NOTE: ALL DIMENSION ARE IN MM

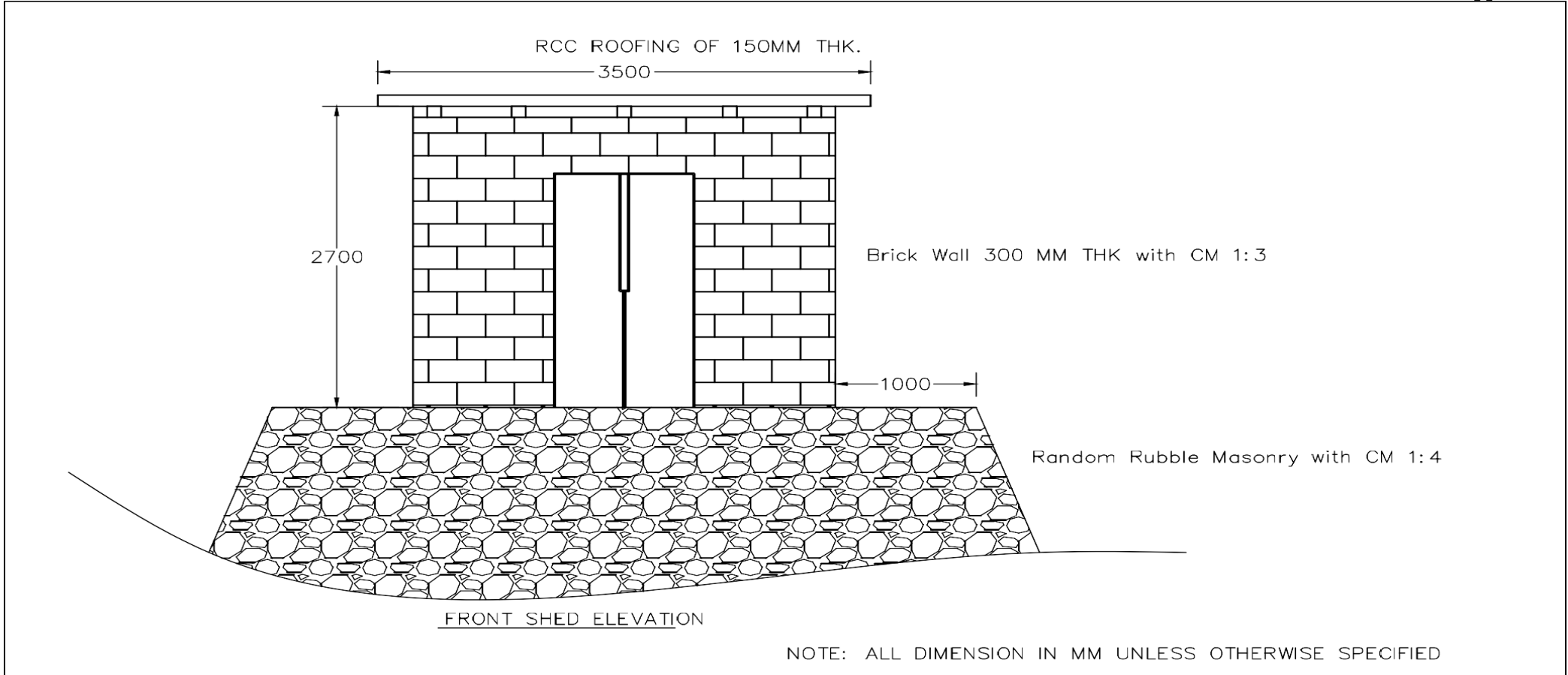
HYDROLOGY AND WATER RESOURCES SERVICES DIVISION  NATIONAL CENTER FOR HYDROLOGY & METEOROLOGY	DRAWING TITLE: Details for SteelShutter with Frame	DRAWN BY: Pashupati Sharma, Principal Hyd/Met Officer, NCHM	DATE:	SCALE: NTS
	PROJECT TITLE: Construction of Cableway Station at Khomachhu, Lhuentse	CHECKED BY: Mr. Jamyang Zangpo, Engineer, HWRS D	SHEET NUMBER:	REVISION NUMBER:  REVISION NOTE:
	APPROVED BY:	NOTES:  All dimensions are in mm unless otherwise stated. Dimensions shall be read and drawings shall not be scaled.		



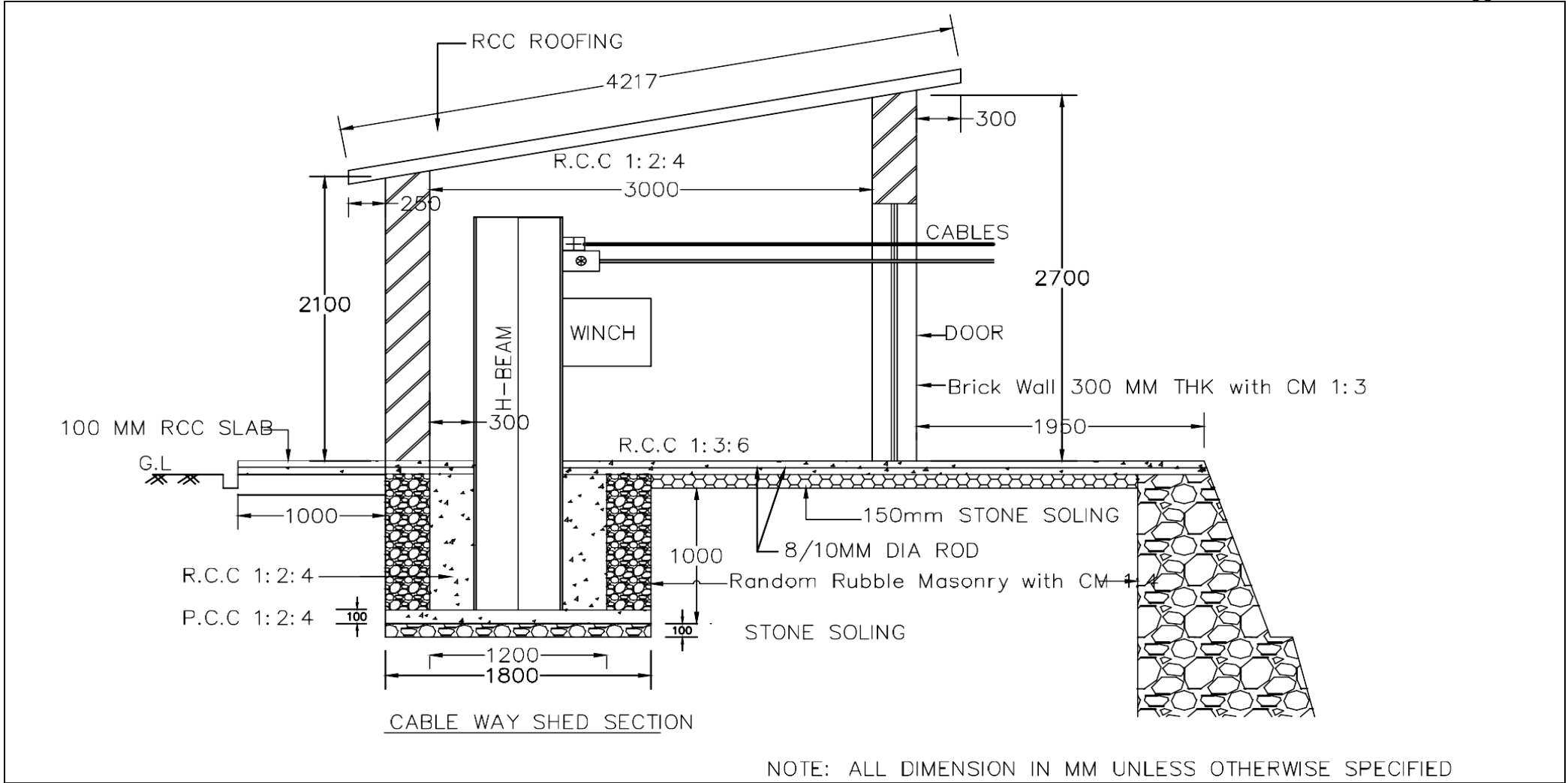
DETAILS FOR STEEL DOORS

NOTE: ALL DIMENSION ARE IN MM

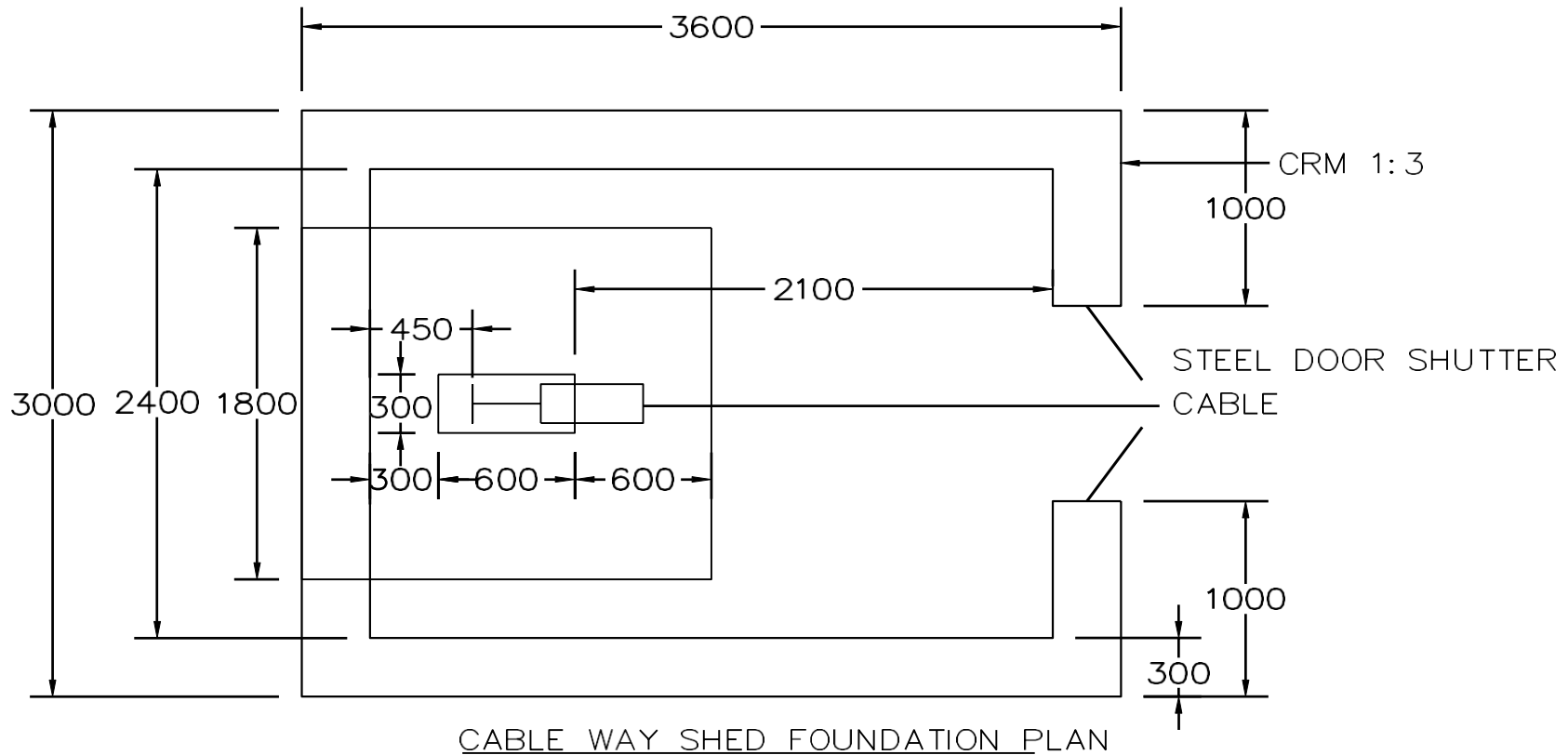
HYDROLOGY AND WATER RESOURCES SERVICES DIVISION  NATIONAL CENTER FOR HYDROLOGY & METEOROLOGY	DRAWING TITLE: Steel Door Details	DRAWN BY: Pashupati Sharma, Principal HYD/Met Officer, NCHM	DATE:	SCALE: NTS
	PROJECT TITLE: Construction of Cableway Station at Khomachhu, Lhuentse	CHECKED BY: Mr. Jamyang Zangpo, Engineer, HWRSD	SHEET NUMBER:	REVISION NUMBER:  REVISION NOTE:
	APPROVED BY:	NOTES:  All dimensions are in mm unless otherwise stated. Dimensions shall be read and drawings shall not be scaled.		



HYDROLOGY AND WATER RESOURCES SERVICES DIVISION  NATIONAL CENTER FOR HYDROLOGY & METEOROLOGY	DRAWING TITLE: Front Elevation	DRAWN BY: Pashupati Sharma, Principal Hyd/Met Officer, NCHM	DATE:	SCALE: NTS
	PROJECT TITLE: Construction of Cableway Station at Khomachhu, Lhuentse	CHECKED BY: Mr. Jamyang Zangpo, Engineer, HWRSD	SHEET NUMBER:	REVISION NUMBER:  REVISION NOTE:
	APPROVED BY:	NOTES:  All dimensions are in mm unless otherwise stated. Dimensions shall be read and drawings shall not be scaled.		



HYDROLOGY AND WATER RESOURCES SERVICES DIVISION  NATIONAL CENTER FOR HYDROLOGY & METEOROLOGY	DRAWING TITLE: Shed Section	DRAWN BY: Pashupati Sharma, Principal Hyd/Met Officer, NCHM	DATE:		SCALE: NTS	
	PROJECT TITLE: Construction of Cableway Station at Khomachhu, Lhuentse	CHECKED BY: Mr. Jamyang Zangpo, Engineer, HWRSD	SHEET NUMBER:	REVISION NUMBER:	REVISION NOTE:	
		APPROVED BY:	NOTES:  All dimensions are in mm unless otherwise stated. Dimensions shall be read and drawings shall not be scaled.			

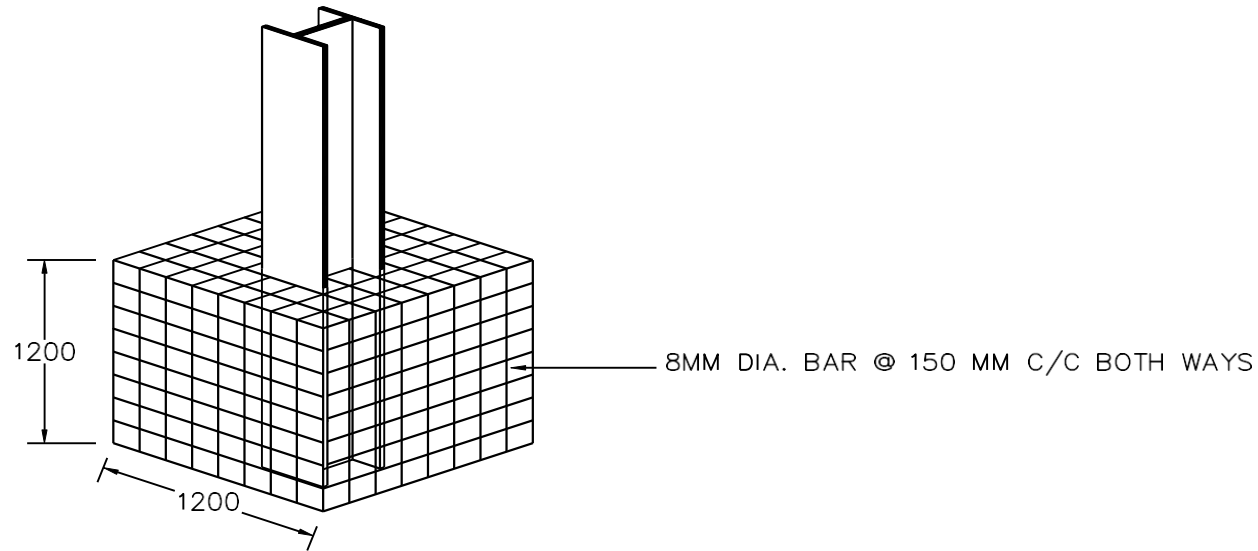


NOTE: ALL DIMENSION IN MM UNLESS OTHERWISE SPECIFIED

HYDROLOGY AND WATER RESOURCES SERVICES DIVISION  NATIONAL CENTER FOR HYDROLOGY & METEOROLOGY	DRAWING TITLE: Foundation Plan	DRAWN BY: Pashupati Sharma, Principal Hyd/Met Officer, NCHM	DATE:	SCALE: NTS
	PROJECT TITLE: Construction of Cableway Station at Khomachhu, Lhuentse	CHECKED BY: Mr. Jamyang Zangpo, Engineer, HWRSD	SHEET NUMBER:	REVISION NUMBER:  REVISION NOTE:
	APPROVED BY: Mr. Tayba Buddha Tamang, Chief Engineer	NOTES:  All dimensions are in mm unless otherwise stated. Dimensions shall be read and drawings shall not be scaled.		



DETAILS OF HORIZONTAL & VERTICAL BARS ANCHORING BEAM

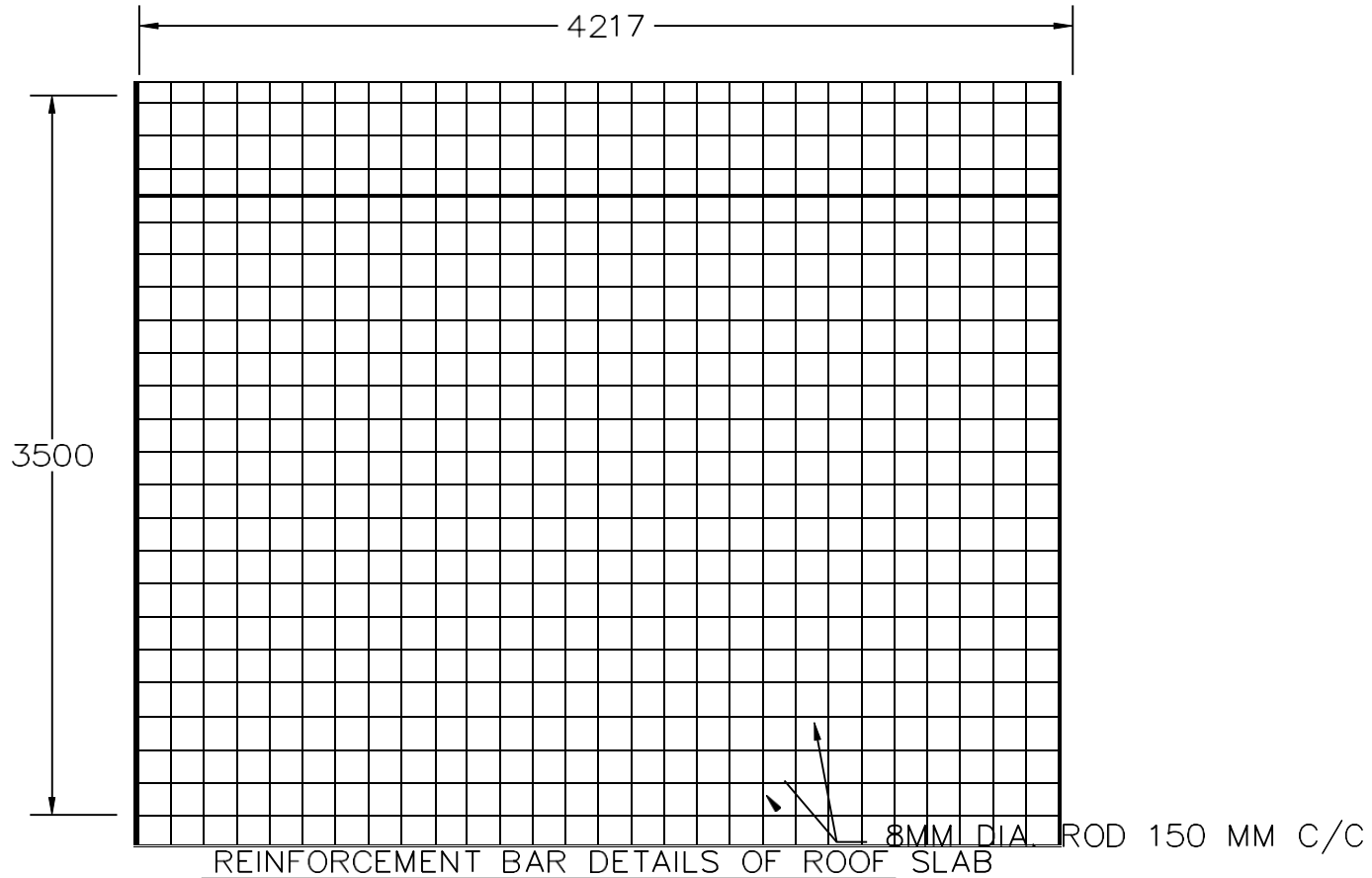


ISOMETRIC VIEW OF RCC BLOCK WITH 'H' BEAM

NOTE: ALL DIMENSION IN MM UNLESS OTHERWISE SPECIFIED

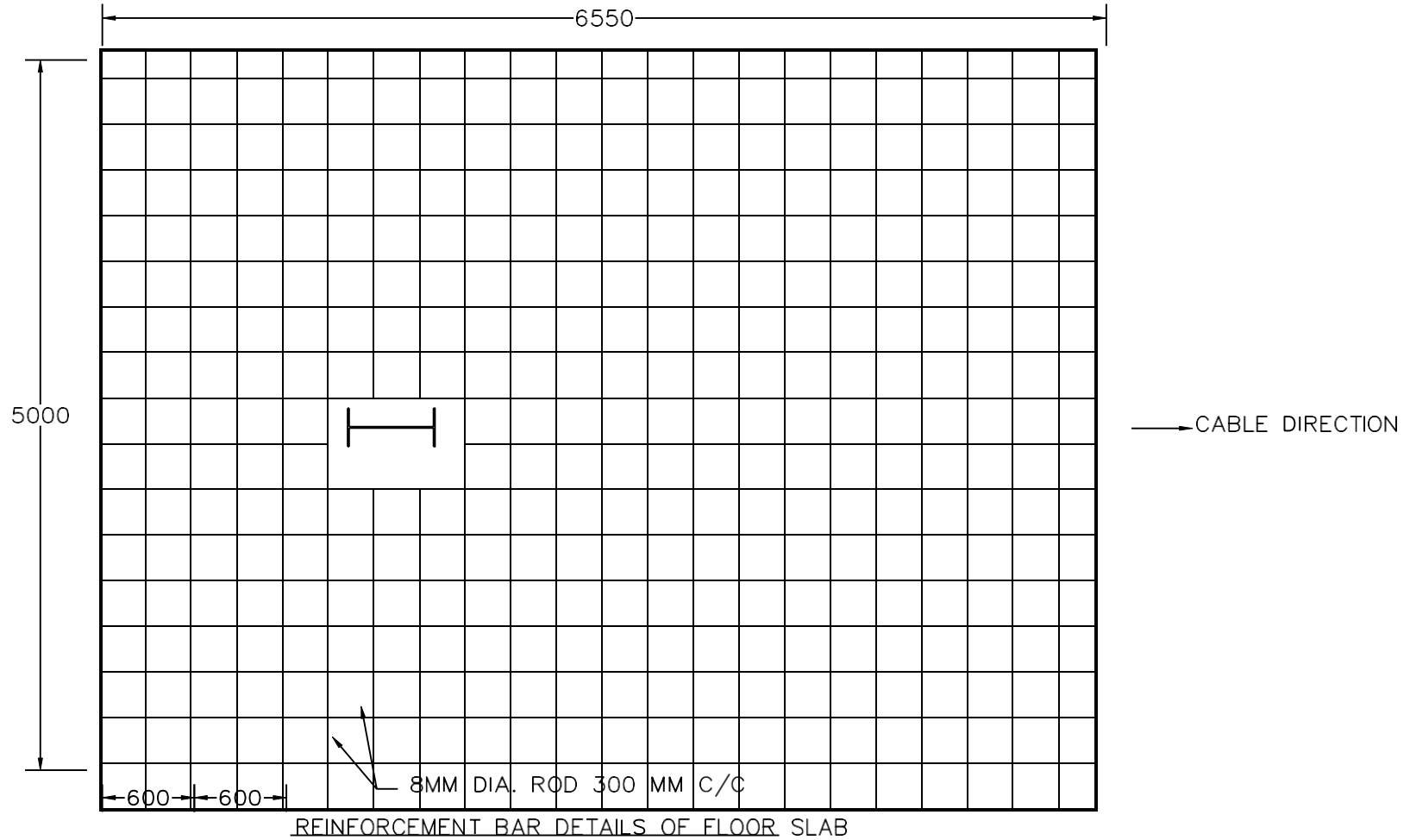
HYDROLOGY AND WATER RESOURCES SERVICES DIVISION  NATIONAL CENTER FOR HYDROLOGY & METEOROLOGY	DRAWING TITLE: Anchoring Beam Details		DATE:	SCALE: NTS	
	PROJECT TITLE: Construction of Cableway Station at Khomachhu, Lhuentse	CHECKED BY: Jamyang Zangpo, Engineer, HWRSD	SHEET NUMBER:	REVISION NUMBER:	REVISION NOTE:
		APPROVED BY: Mr. Tayba Buddha Tamang, Chief Engineer	NOTES:  All dimensions are in mm unless otherwise stated. Dimensions shall be read and drawings shall not be scaled.		





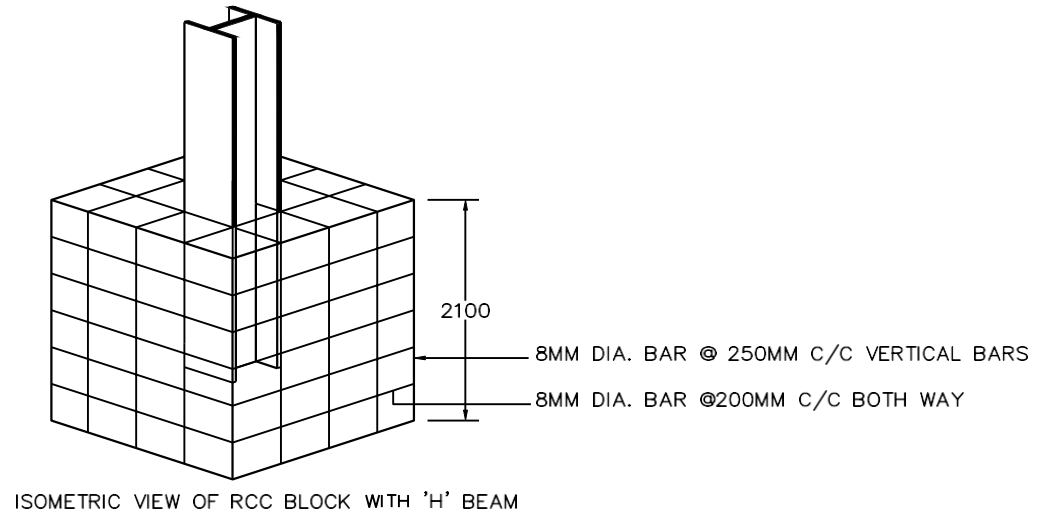
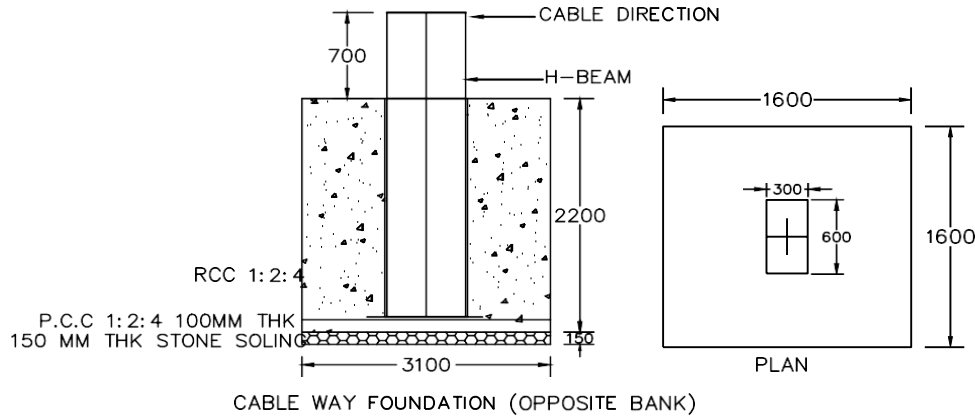
NOTE: ALL DIMENSION IN MM UNLESS OTHERWISE SPECIFIED

HYDROLOGY AND WATER RESOURCES SERVICES DIVISION  NATIONAL CENTER FOR HYDROLOGY & METEOROLOGY	DRAWING TITLE: Reinforcement BarDetails of Roof Slab	DRAWN BY: Pashupati Sharma,Principal HYD/Metl Officer, NCHM	DATE:		SCALE: NTS	
	PROJECT TITLE: Construction of CablewayStation at Khomachhu, Lhuentse	CHECKED BY: Mr. Jamyang Zangpo, Engineer, HWRSD	SHEET NUMBER:	REVISION NUMBER:	REVISION NOTE:	
		APPROVED BY:	NOTES: All dimensions are in mm unless otherwise stated. Dimensions shall be read and drawings shall not be scaled.			



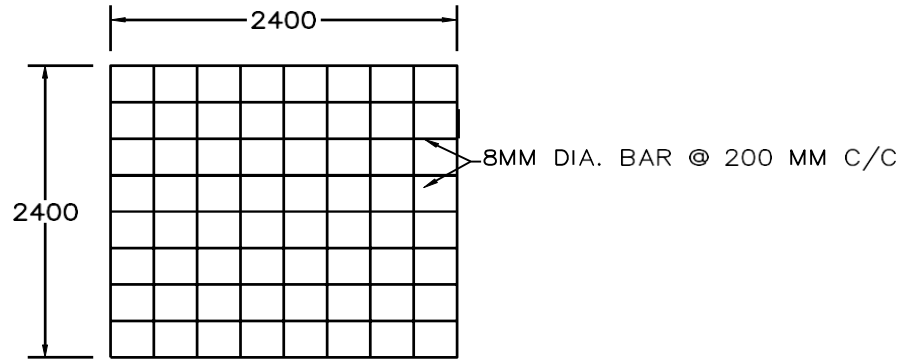
NOTE: ALL DIMENSION IN MM UNLESS OTHERWISE SPECIFIED

HYDROLOGY AND WATER RESOURCES SERVICES DIVISION  NATIONAL CENTER FOR HYDROLOGY & METEOROLOGY	DRAWING TITLE: Reinforcement Bar Details of Floor Slab	DRAWN BY: Pashupati Sharma, Principal Hyd/Met Officer, NCHM	DATE:		SCALE: NTS	
	PROJECT TITLE: Construction of Cableway Station at Khomachhu, Lhuentse	CHECKED BY: Mr. Jamyang Zangpo, Engineer, HWRSD	SHEET NUMBER:	REVISION NUMBER:	REVISION NOTE:	
		APPROVED BY:	NOTES:  All dimensions are in mm unless otherwise stated. Dimensions shall be read and drawings shall not be scaled.			

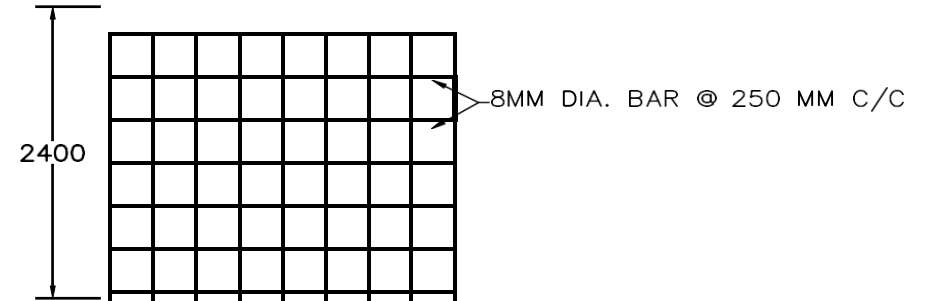


NOTE: ALL DIMENSION IN MM UNLESS OTHERWISE SPECIFIED

HYDROLOGY AND WATER RESOURCES SERVICES DIVISION  NATIONAL CENTER FOR HYDROLOGY & METEOROLOGY	DRAWING TITLE: H-Beam FoundationDetails (Opposite Bank)	DRAWN BY: Pashupati Sharma, Principal Hyd/Met Officer, NCHM	DATE:		SCALE: NTS	
		CHECKED BY: Mr. Jamyang Zangpo, Engineer, HWRS D	SHEET NUMBER:	REVISION NUMBER:	REVISION NOTE:	
	PROJECT TITLE: Construction of Cableway Station at Khomachhu, Lhuentse	APPROVED BY:		NOTES:  All dimensions are in mm unless otherwise stated. Dimensions shall be read and drawings shall not be scaled.		



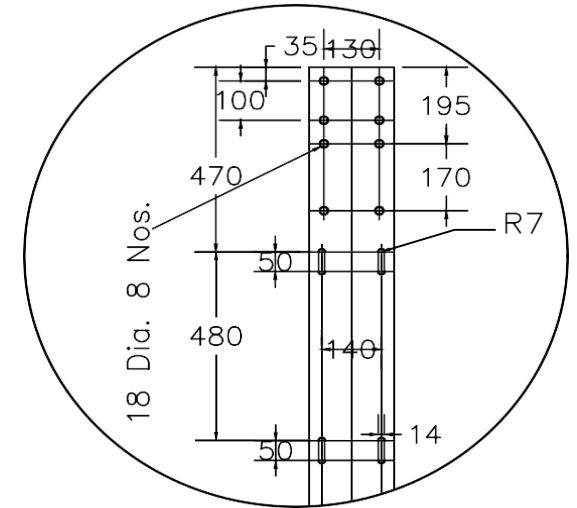
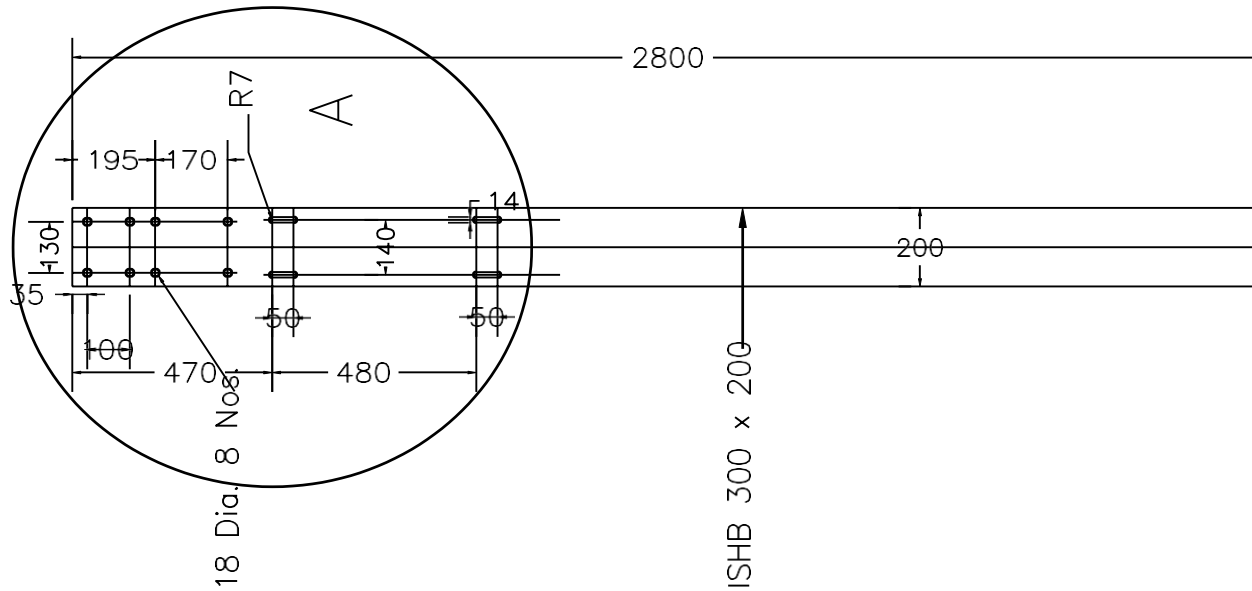
DETAIL OF HORIZONTAL POSITIVE AND NEGATIVE BARS ANCHORING BEAM



DETAIL OF VERTICAL BARS ANCHORING BEAM

NOTE: ALL DIMENSION IN MM UNLESS OTHERWISE SPECIFIED

HYDROLOGY AND WATER RESOURCES SERVICES DIVISION  NATIONAL CENTER FOR HYDROLOGY & METEOROLOGY	DRAWING TITLE: Detail of Horizontal and Vertical Bars of Anchoring Beam	DRAWN BY: Mr. Sangay Tempa, Engineer, Regional Office, Bumthang	DATE:	SCALE: NTS
	PROJECT TITLE: Construction of Cableway Station at Khomachhu, Lhuentse	CHECKED BY: Mr. Jamyang Zangpo, Engineer, HWRSD	SHEET NUMBER:	REVISION NUMBER:  REVISION NOTE:
		APPROVED BY: Mr. Tayba Buddha Tamang, Chief Engineer, HWRSD	NOTES:  All dimensions are in mm unless otherwise stated. Dimensions shall be read and drawings shall not be scaled.	

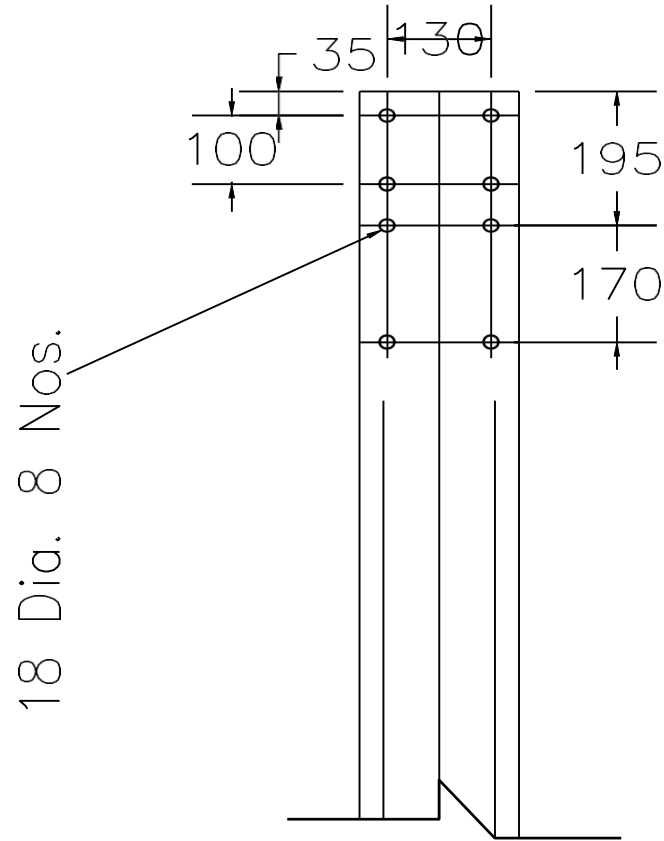


DETAILS OF - A

DETAILS FOR FIBRICATION

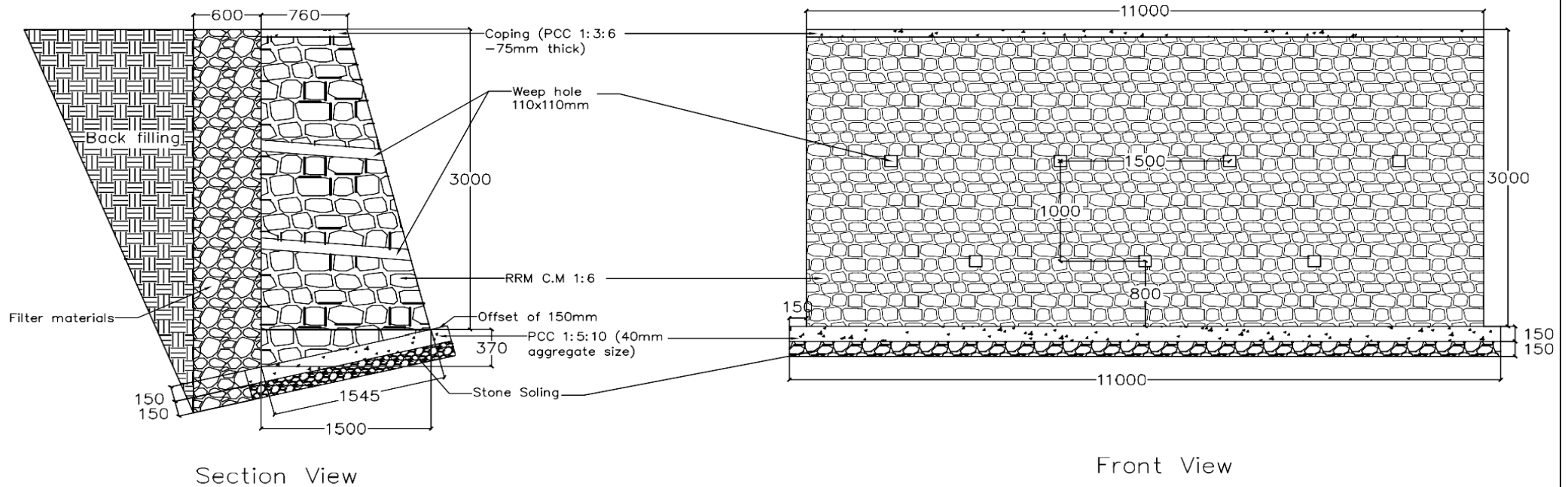
NOTE: ALL DIMENSION ARE IN MM

HYDROLOGY AND WATER RESOURCES SERVICES DIVISION  NATIONAL CENTER FOR HYDROLOGY & METEOROLOGY	DRAWING TITLE: Details of H-Beam for Fabrication	DRAWN BY: Mr. Sangay Tempa, Engineer, Regional Office, Bumthang	DATE:		SCALE: NTS	
	PROJECT TITLE: Construction of Cableway Station at Khomachhu, Lhuentse	CHECKED BY: Mr. Jamyang Zangpo, Engineer, HWRSD	SHEET NUMBER:	REVISION NUMBER:	REVISION NOTE:	
		APPROVED BY: Mr. Tayba Buddha Tamang, Chief Engineer, HWRSD	NOTES:  All dimensions are in mm unless otherwise stated. Dimensions shall be read and drawings shall not be scaled.			



DETAILS OF H-BEAM AT OPPOSITE BANK

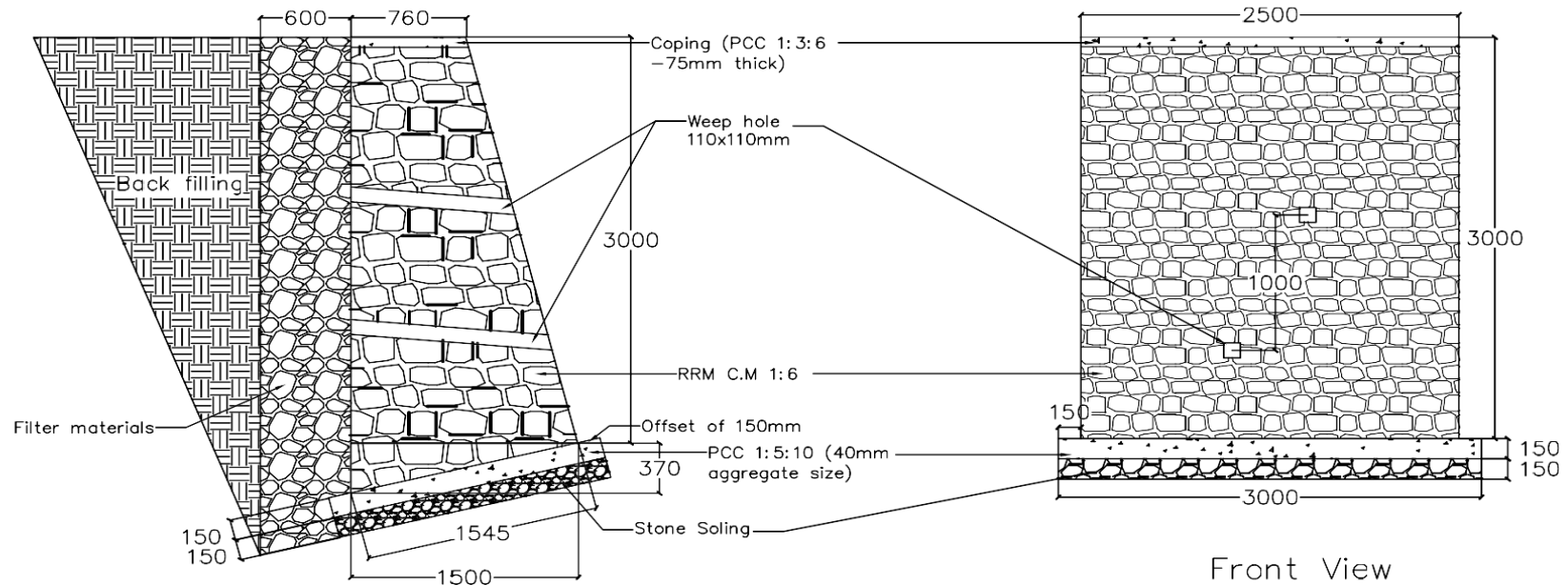
<p>HYDROLOGY AND WATER RESOURCES SERVICES DIVISION</p> <p>NATIONAL CENTER FOR HYDROLOGY &amp; METEOROLOGY</p>	<p>DRAWING TITLE: Details of H-Beam at Opposite Bank</p>	<p>DRAWN BY: Mr. Sangay Tempa, Engineer, Regional Office, Bumthang</p>	<p>DATE:</p>		<p>SCALE: NTS</p>
	<p>PROJECT TITLE: Construction of Cableway Station at Khomachhu, Lhuentse</p>	<p>CHECKED BY: Mr. Jamyang Zangpo, Engineer, HWRSD</p>	<p>SHEET NUMBER:</p>	<p>REVISION NUMBER:</p>	<p>REVISION NOTE:</p>
		<p>APPROVED BY: Mr. Tayba Buddha Tamang, Chief Engineer, HWRSD</p>	<p>NOTES:  All dimensions are in mm unless otherwise stated. Dimensions shall be read and drawings shall not be scaled.</p>		



Notes:

1. The 110x110mm weep holes shall be with 5° outward slope.
2. First layer of weep holes shall be kept at 0.80m from the base, after which weep holes shall be placed at an interval of 1m for vertical alignment and 1.5m for horizontal alignment. The layers shall be in a staggered pattern.
3. Back filling shall be selected granular materials laid and compacted in layers not exceeding 200mm.
4. All dimensions are in millimeter(mm) unless stated otherwise.

<p>HYDROLOGY AND WATER RESOURCES SERVICES DIVISION</p> <p>NATIONAL CENTER FOR HYDROLOGY &amp; METEOROLOGY</p>	<p>DRAWING TITLE: Bottom Side Retaining Wall Details</p>	<p>DRAWN BY: Mr. Sangay Tempa, Engineer, Regional Office, Bumthang</p>	<p>DATE:</p>		<p>SCALE: NTS</p>	
	<p>PROJECT TITLE: Construction of Cableway Station at Khomachhu, Lhuentse</p>	<p>CHECKED BY: Mr. Jamyang Zangpo, Engineer, HWRSD</p>	<p>SHEET NUMBER:</p>	<p>REVISION NUMBER:</p>	<p>REVISION NOTE:</p>	
			<p>APPROVED BY: Mr. Tayba Buddha Tamang, Chief Engineer, HWRSD</p>	<p>NOTES:</p> <p>All dimensions are in mm unless otherwise stated. Dimensions shall be read and drawings shall not be scaled.</p>		



Section View

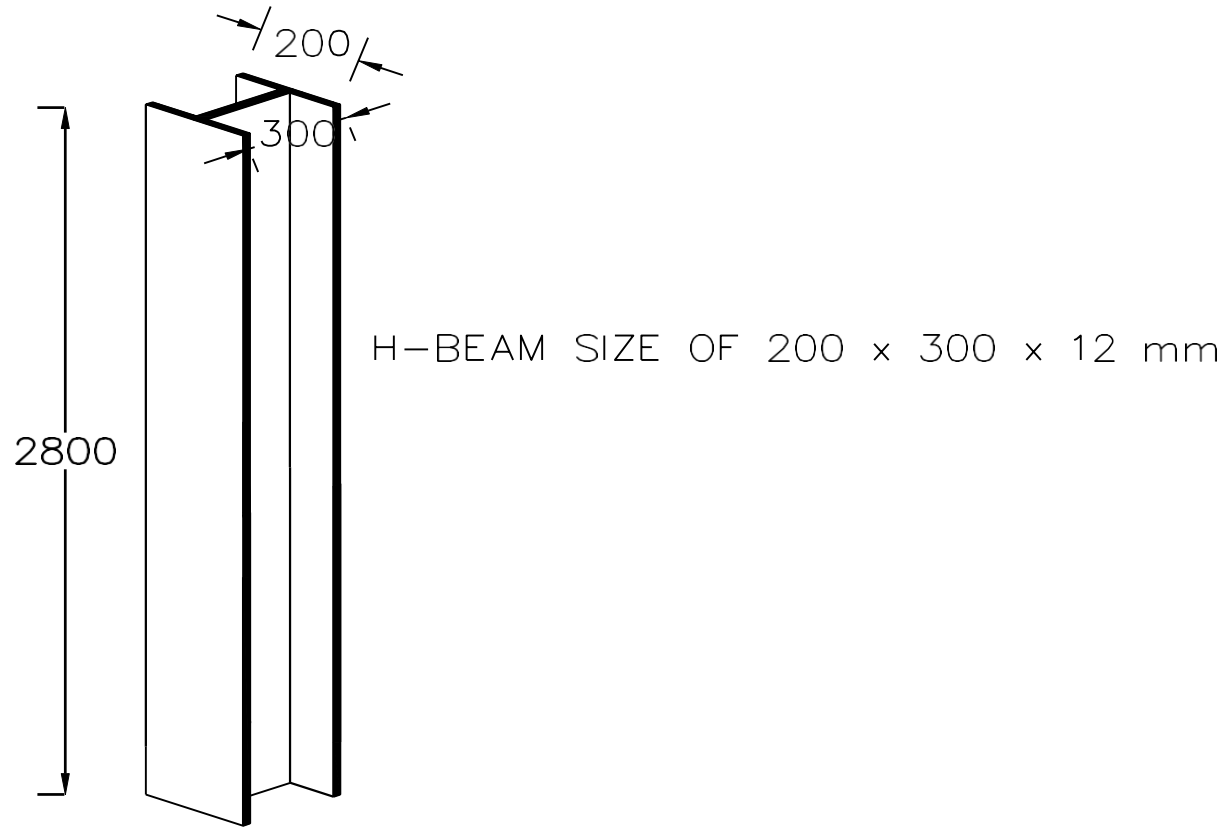
Front View

Notes:

1. The 110x110mm weep holes shall be with 5° outward slope.
2. First layer of weep holes shall be kept at 0.80m from the base, after which weep holes shall be placed at an interval of 1m for vertical alignment and 1.5m for horizontal alignment. The layers shall be in a staggered pattern.
3. Back filling shall be selected granular materials laid and compacted in layers not exceeding 200mm.
4. All dimensions are in millimeter(mm) unless stated otherwise.

HYDROLOGY AND WATER RESOURCES SERVICES DIVISION  NATIONAL CENTER FOR HYDROLOGY & METEOROLOGY	DRAWING TITLE: Sides Retaining Wall Details	DRAWN BY: Mr. Sangay Tempa, Engineer, Regional Office, Bumthang	DATE:	SCALE: NTS	
	PROJECT TITLE: Construction of Cableway Station at Khomachhu, Lhuentse	CHECKED BY: Mr. Jamyang Zangpo, Engineer, HWRSD	SHEET NUMBER:	REVISION NUMBER:	REVISION NOTE:
		APPROVED BY: Mr. Tayba Buddha Tamang, Chief Engineer, HWRSD	NOTES:  All dimensions are in mm unless otherwise stated. Dimensions shall be read and drawings shall not be scaled.		



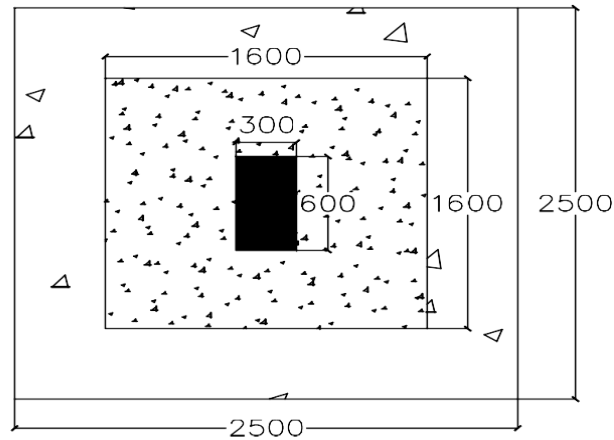


H-BEAM SIZE OF 200 x 300 x 12 mm

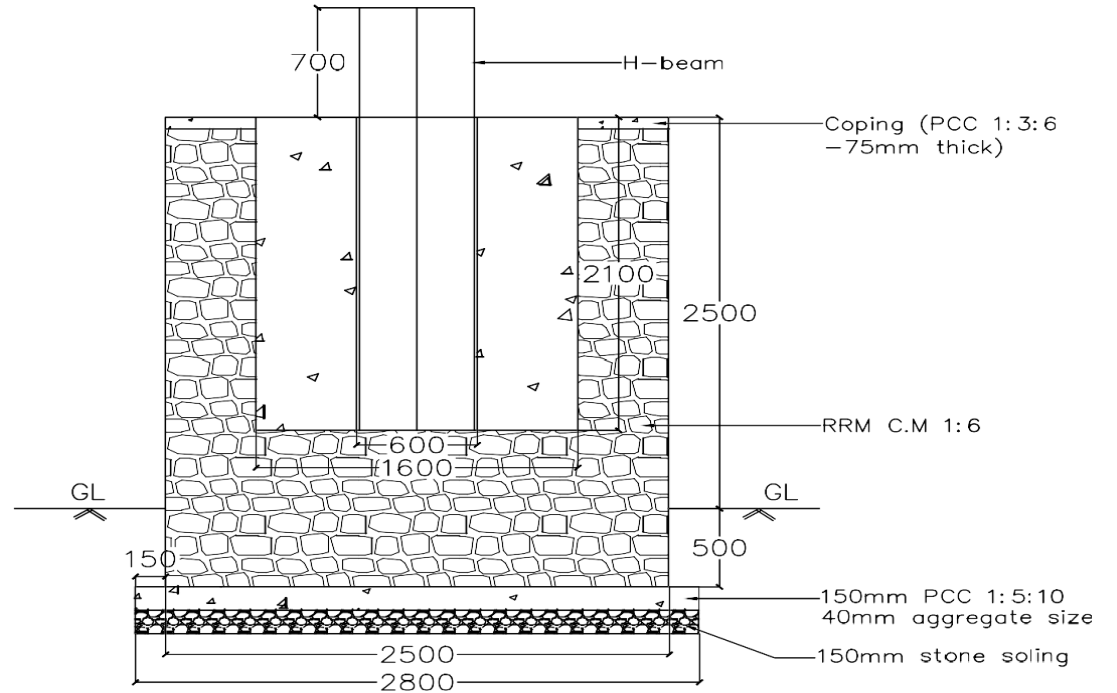
ISOMETRIC VIEW OF 'H' BEAM

NOTE: ALL DIMENSION ARE IN MM

HYDROLOGY AND WATER RESOURCES SERVICES DIVISION  NATIONAL CENTER FOR HYDROLOGY & METEOROLOGY	DRAWING TITLE: Isometric View of H-Beam	DRAWN BY: Mr. Sangay Tempa, Engineer, Regional Office, Bumthang	DATE:		SCALE: NTS	
	PROJECT TITLE: Construction of Cableway Station at Khomachhu, Lhuentse	CHECKED BY: Mr. Jamyang Zangpo, Engineer, HWRSD	SHEET NUMBER:	REVISION NUMBER:	REVISION NOTE:	
		APPROVED BY: Mr. Tayba Buddha Tamang, Chief Engineer, HWRSD	NOTES:  All dimensions are in mm unless otherwise stated. Dimensions shall be read and drawings shall not be scaled.			



PLAN



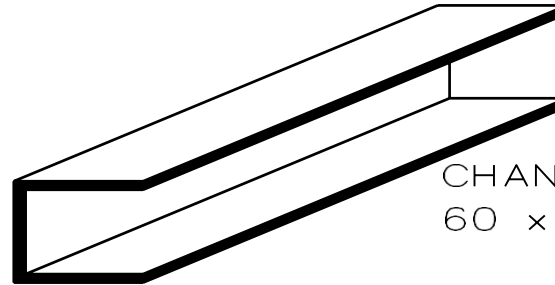
SECTION VIEW

## DETAILS OF H-BEAM ON OPPOSITE BANK

HYDROLOGY AND WATER RESOURCES SERVICES DIVISION  NATIONAL CENTER FOR HYDROLOGY & METEOROLOGY	DRAWING TITLE: Opposite Bank H-beam details	DRAWN BY: Mr. Sangay Tempa, Engineer, Regional Office, Bumthang	DATE:	SCALE: NTS	
	PROJECT TITLE: Construction of Cableway Station at Khomachhu, Lhuentse	CHECKED BY: Mr. Jamyang Zangpo, Engineer, HWRSD	SHEET NUMBER:	REVISION NUMBER:	REVISION NOTE:
		APPROVED BY: Mr. Tayba Buddha Tamang, Chief Engineer, HWRSD	NOTES:  All dimensions are in mm unless otherwise stated. Dimensions shall be read and drawings shall not be scaled.		

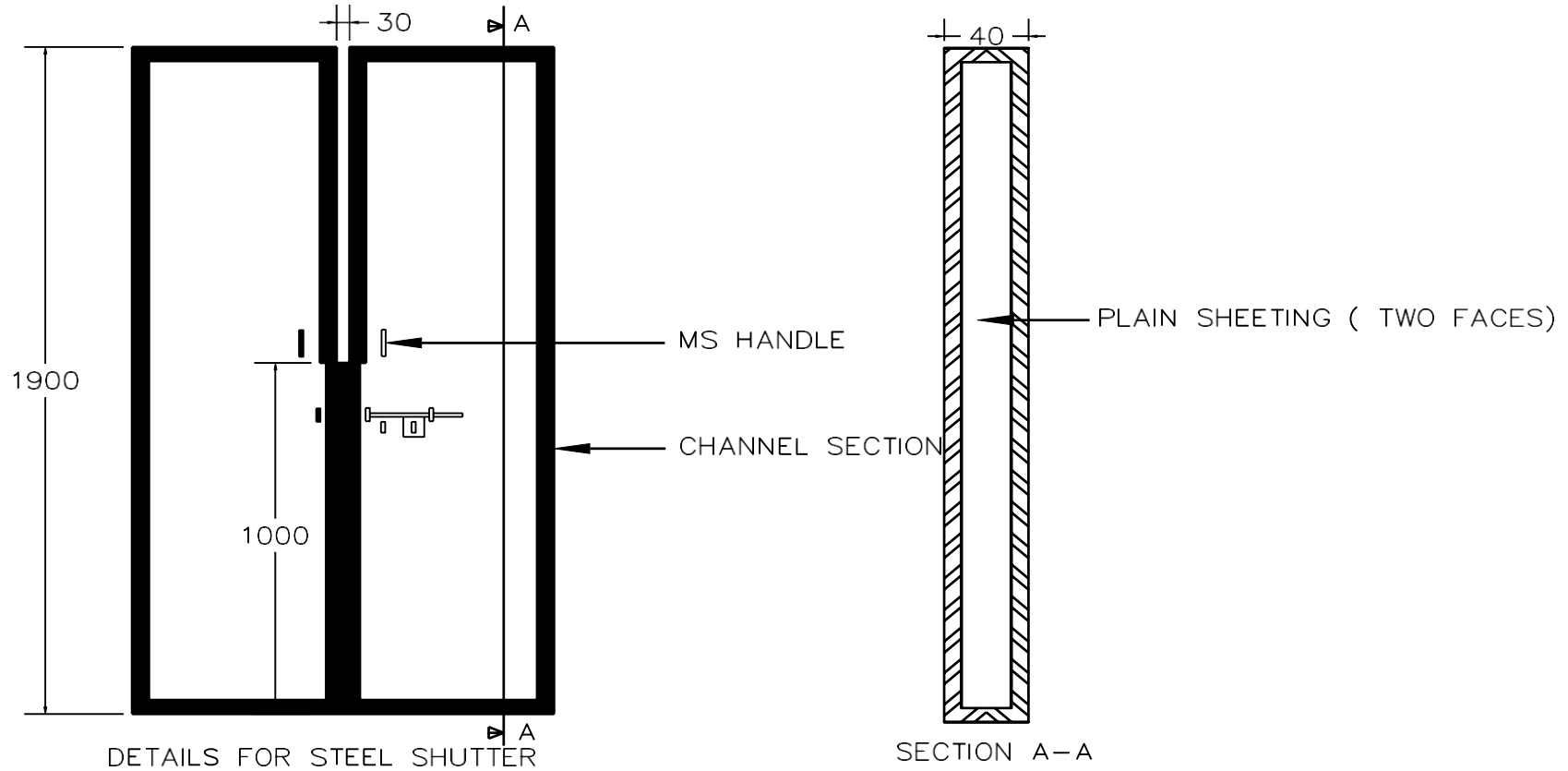


ANGLE SECTION  
60 x 60 x 6 mm



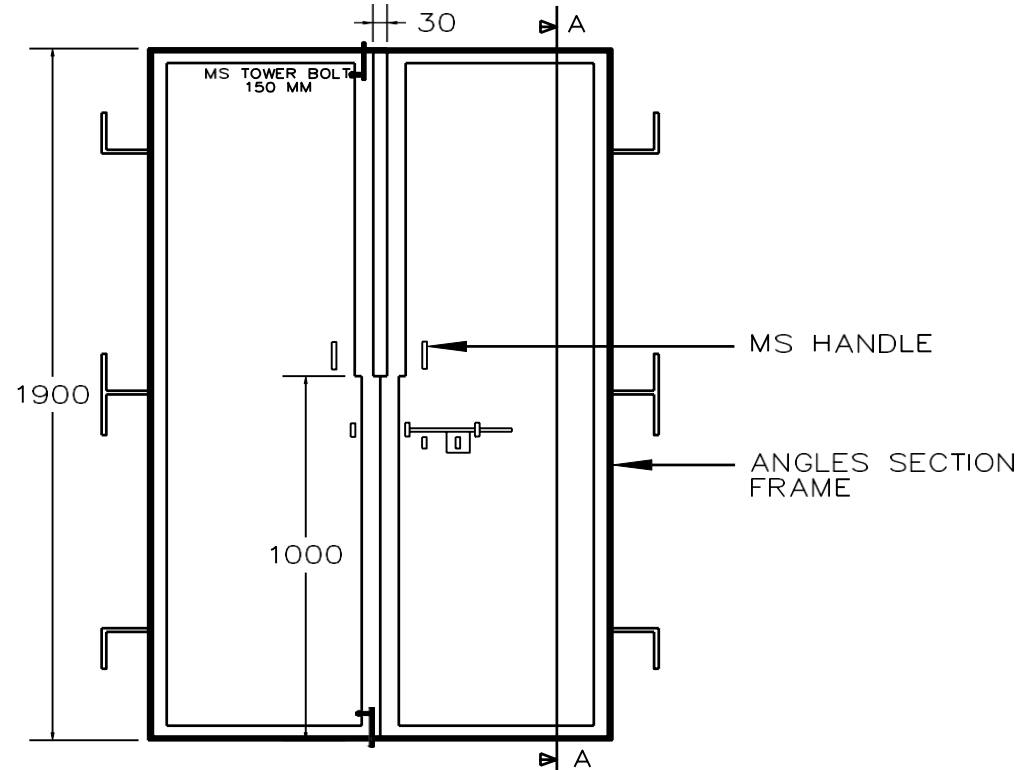
CHANNEL SECTION  
60 x 60 x 60 x 6 mm

HYDROLOGY AND WATER RESOURCES SERVICES DIVISION  NATIONAL CENTER FOR HYDROLOGY & METEOROLOGY	DRAWING TITLE: Details for MS Angle& MS Channel	DRAWN BY: Pashupati Sharma, Principal Hyd/Met Officer, NCHM	DATE:		SCALE: NTS	
	PROJECT TITLE: Construction of Cableway Station at Dangchhu, Wangdue	CHECKED BY: Mr. Jamyang Zangpo, Engineer, HWRSD	SHEET NUMBER:	REVISION NUMBER:	REVISION NOTE:	
		APPROVED BY:	NOTES: All dimensions are in mm unless otherwise stated. Dimensions shall be read and drawings shall not be scaled.			



NOTE: ALL DIMENSION ARE IN MM

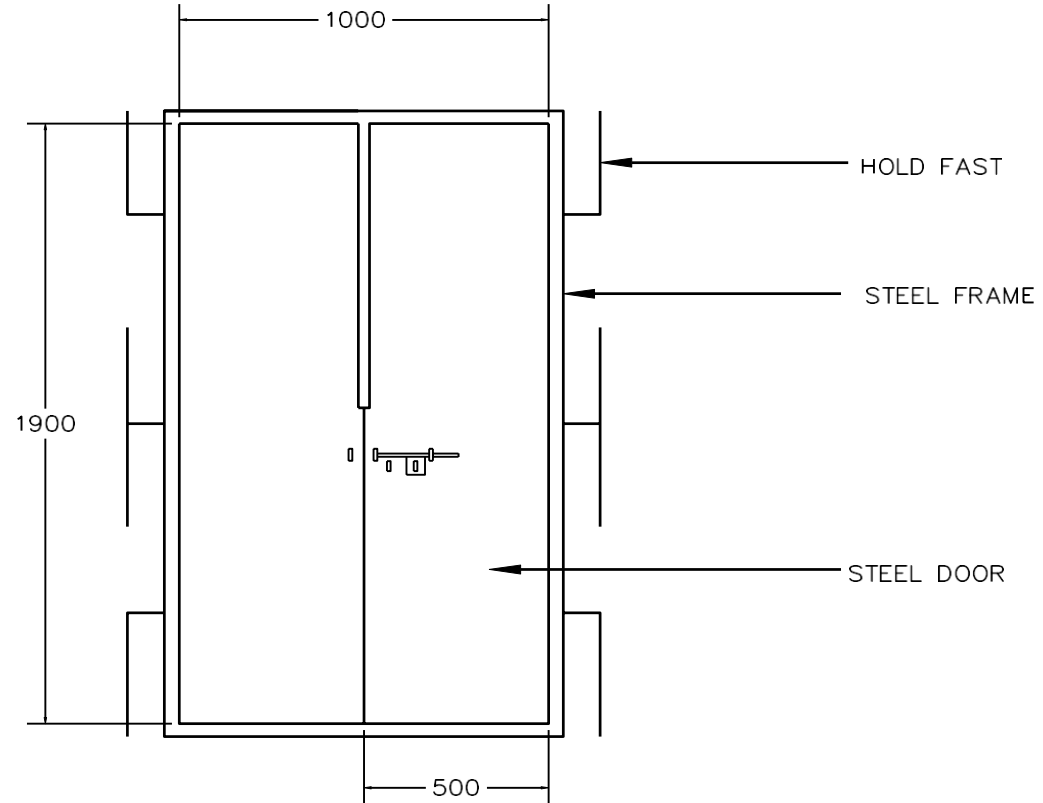
HYDROLOGY AND WATER RESOURCES SERVICES DIVISION  NATIONAL CENTER FOR HYDROLOGY & METEOROLOGY	DRAWING TITLE: Details for SteelShutter	DRAWN BY: Pashupati Sharma, Principal Hyd/Met Officer, NCHM	DATE:		SCALE: NTS	
	PROJECT TITLE: Construction of Cableway Station at Dangchhu, Wangdue	CHECKED BY: Mr. Jamyang Zangpo, Engineer, HWRSD	SHEET NUMBER:	REVISION NUMBER:	REVISION NOTE:	
		APPROVED BY:	NOTES: All dimensions are in mm unless otherwise stated. Dimensions shall be read and drawings shall not be scaled.			



DETAILS FOR STEEL SHUTTER WITH FRAME

NOTE: ALL DIMENSION ARE IN MM

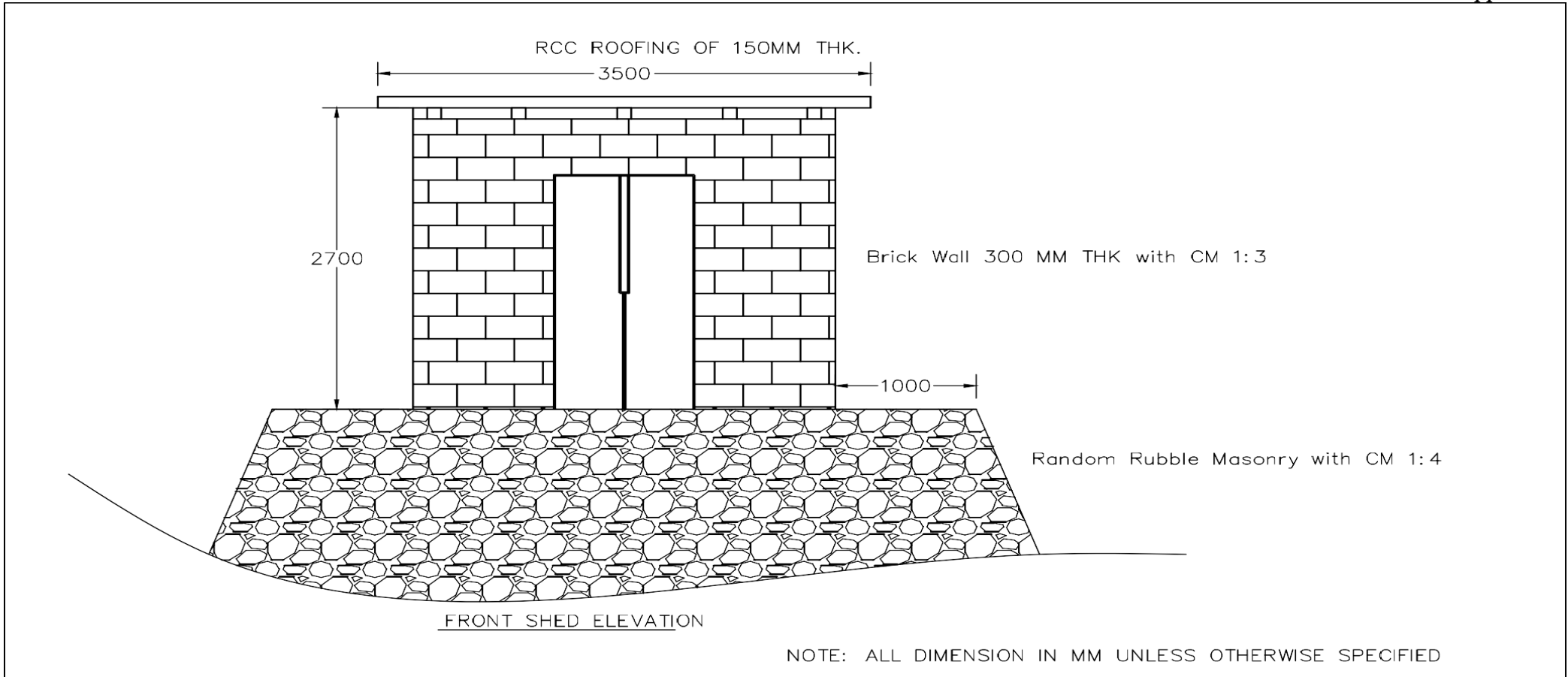
HYDROLOGY AND WATER RESOURCES SERVICES DIVISION  NATIONAL CENTER FOR HYDROLOGY & METEOROLOGY	DRAWING TITLE: Details for SteelShutter with Frame	DRAWN BY: Pashupati Sharma, Principal Hyd/Met Officer, NCHM	DATE:	SCALE: NTS	
	PROJECT TITLE: Construction of Cableway Station at Dangchhu, Wangdue	CHECKED BY: Mr. Jamyang Zangpo, Engineer, HWRS D	SHEET NUMBER:	REVISION NUMBER:	REVISION NOTE:
		APPROVED BY:	NOTES:  All dimensions are in mm unless otherwise stated. Dimensions shall be read and drawings shall not be scaled.		



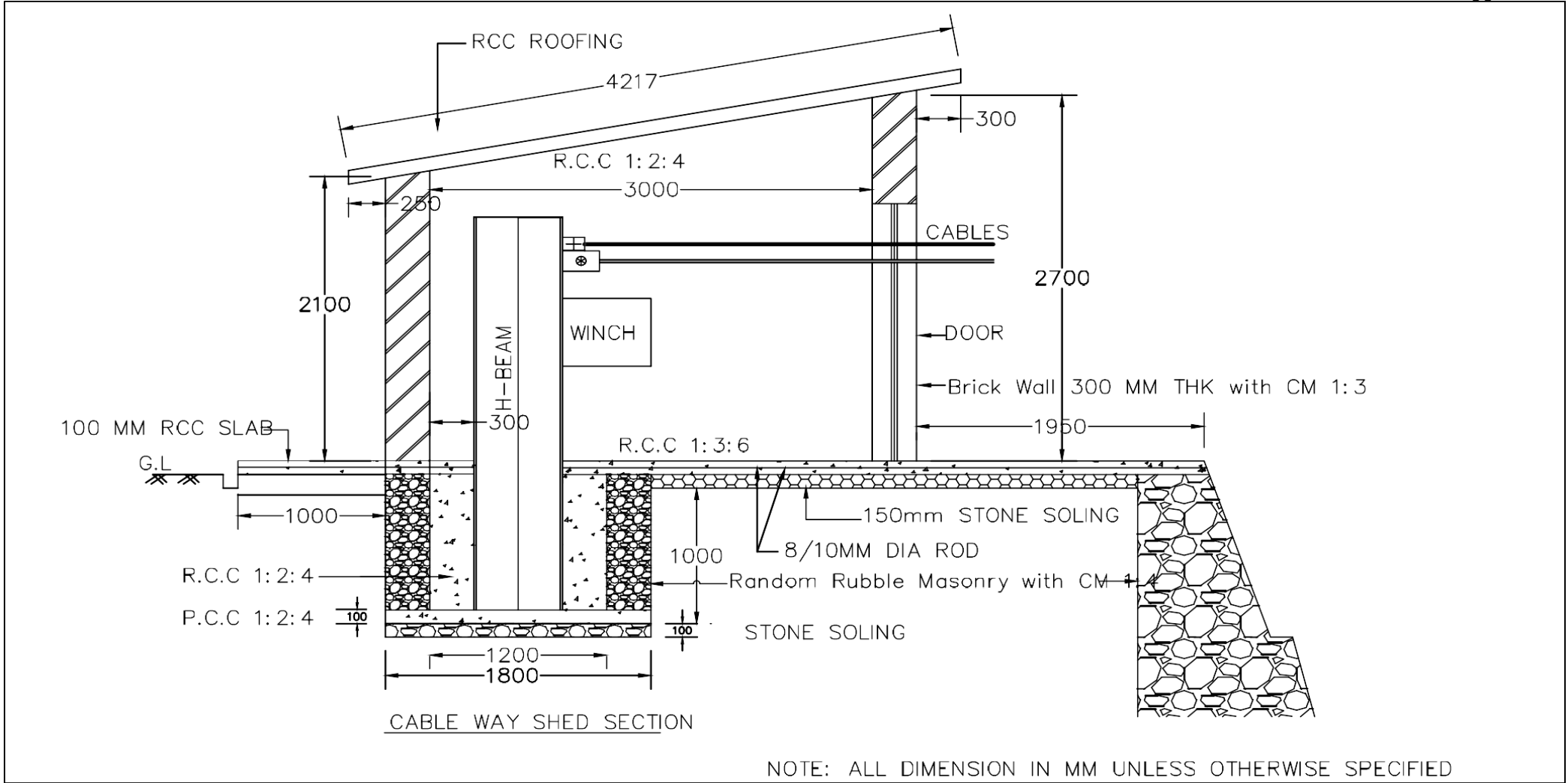
DETAILS FOR STEEL DOORS

NOTE: ALL DIMENSION ARE IN MM

HYDROLOGY AND WATER RESOURCES SERVICES DIVISION  NATIONAL CENTER FOR HYDROLOGY & METEOROLOGY	DRAWING TITLE: Steel Door Details	DRAWN BY: Pashupati Sharma, Principal HYD/Met Officer, NCHM	DATE:	SCALE: NTS	
	PROJECT TITLE: Construction of Cableway Station at Dangchhu, Wangdue	CHECKED BY: Mr. Jamyang Zangpo, Engineer, HWRSD	SHEET NUMBER:	REVISION NUMBER:	REVISION NOTE:
		APPROVED BY:	NOTES:  All dimensions are in mm unless otherwise stated. Dimensions shall be read and drawings shall not be scaled.		

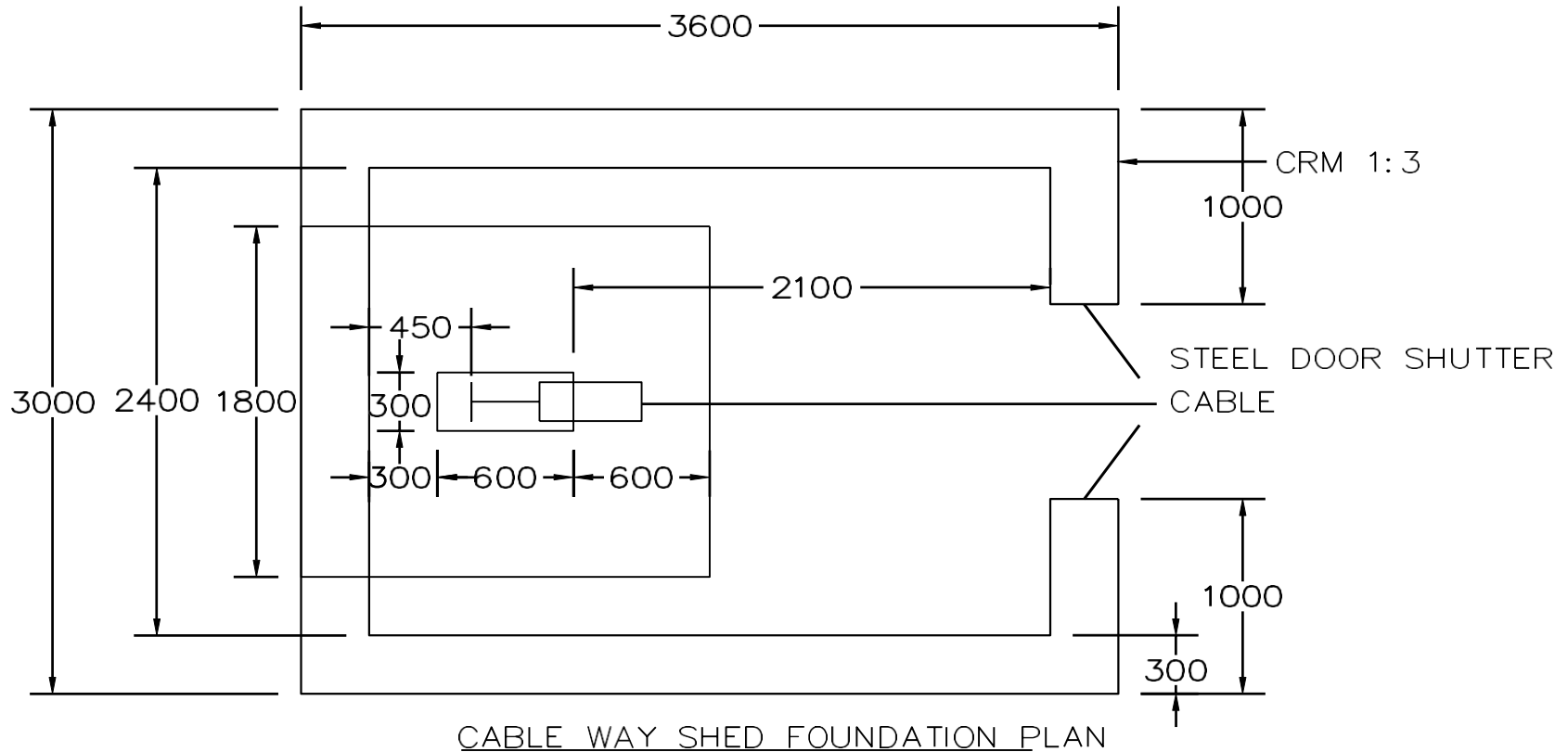


HYDROLOGY AND WATER RESOURCES SERVICES DIVISION  NATIONAL CENTER FOR HYDROLOGY & METEOROLOGY	DRAWING TITLE: Front Elevation	DRAWN BY: Pashupati Sharma, Principal Hyd/Met Officer, NCHM	DATE:	SCALE: NTS
	PROJECT TITLE: Construction of Cableway Station at Dangchhu, Wangdue	CHECKED BY: Mr. Jamyang Zangpo, Engineer, HWRSD	SHEET NUMBER:	REVISION NUMBER:  REVISION NOTE:
	APPROVED BY:	NOTES:  All dimensions are in mm unless otherwise stated. Dimensions shall be read and drawings shall not be scaled.		



HYDROLOGY AND WATER RESOURCES SERVICES DIVISION  NATIONAL CENTER FOR HYDROLOGY & METEOROLOGY	DRAWING TITLE: Shed Section	DRAWN BY: Pashupati Sharma, Principal Hyd/Met Officer, NCHM	DATE:		SCALE: NTS	
	PROJECT TITLE: Construction of Cableway Station at Dangchhu, Wangdue	CHECKED BY: Mr. Jamyang Zangpo, Engineer, HWRSD	SHEET NUMBER:	REVISION NUMBER:	REVISION NOTE:	
		APPROVED BY:	NOTES:  All dimensions are in mm unless otherwise stated. Dimensions shall be read and drawings shall not be scaled.			





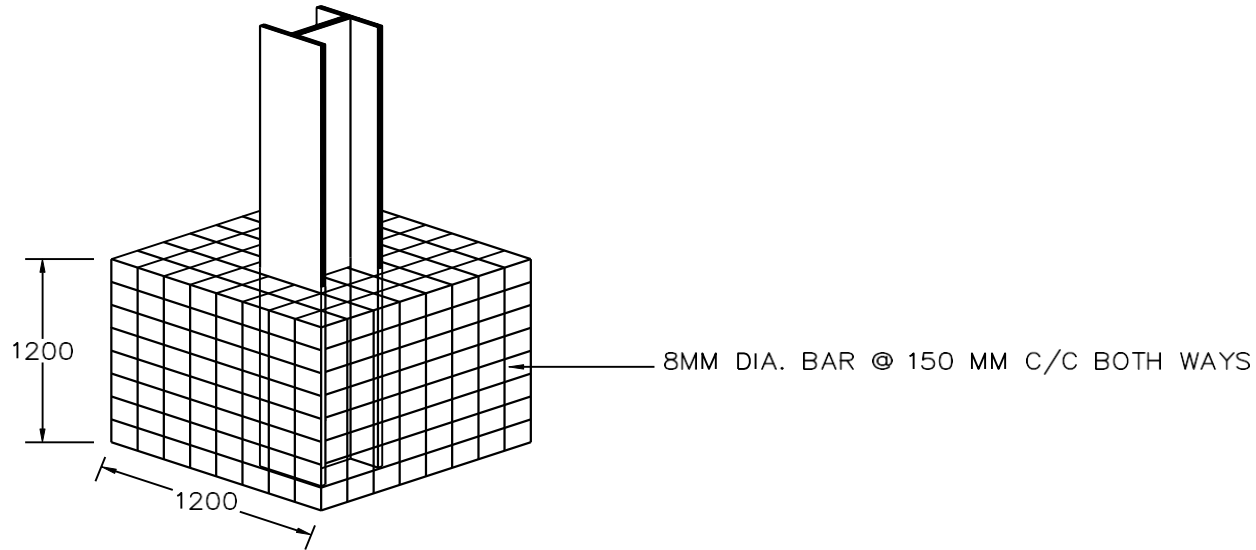
CABLE WAY SHED FOUNDATION PLAN

NOTE: ALL DIMENSION IN MM UNLESS OTHERWISE SPECIFIED

HYDROLOGY AND WATER RESOURCES SERVICES DIVISION  NATIONAL CENTER FOR HYDROLOGY & METEOROLOGY	DRAWING TITLE: Foundation Plan	DRAWN BY: Pashupati Sharma, Principal Hyd/Met Officer, NCHM	DATE:	SCALE: NTS
	PROJECT TITLE: Construction of Cableway Station at Dangchhu, Wangdue	CHECKED BY: Mr. Jamyang Zangpo, Engineer, HWRSD	SHEET NUMBER:	REVISION NUMBER:
		APPROVED BY: Mr. Tayba Buddha Tamang, Chief Engineer	NOTES:  All dimensions are in mm unless otherwise stated. Dimensions shall be read and drawings shall not be scaled.	



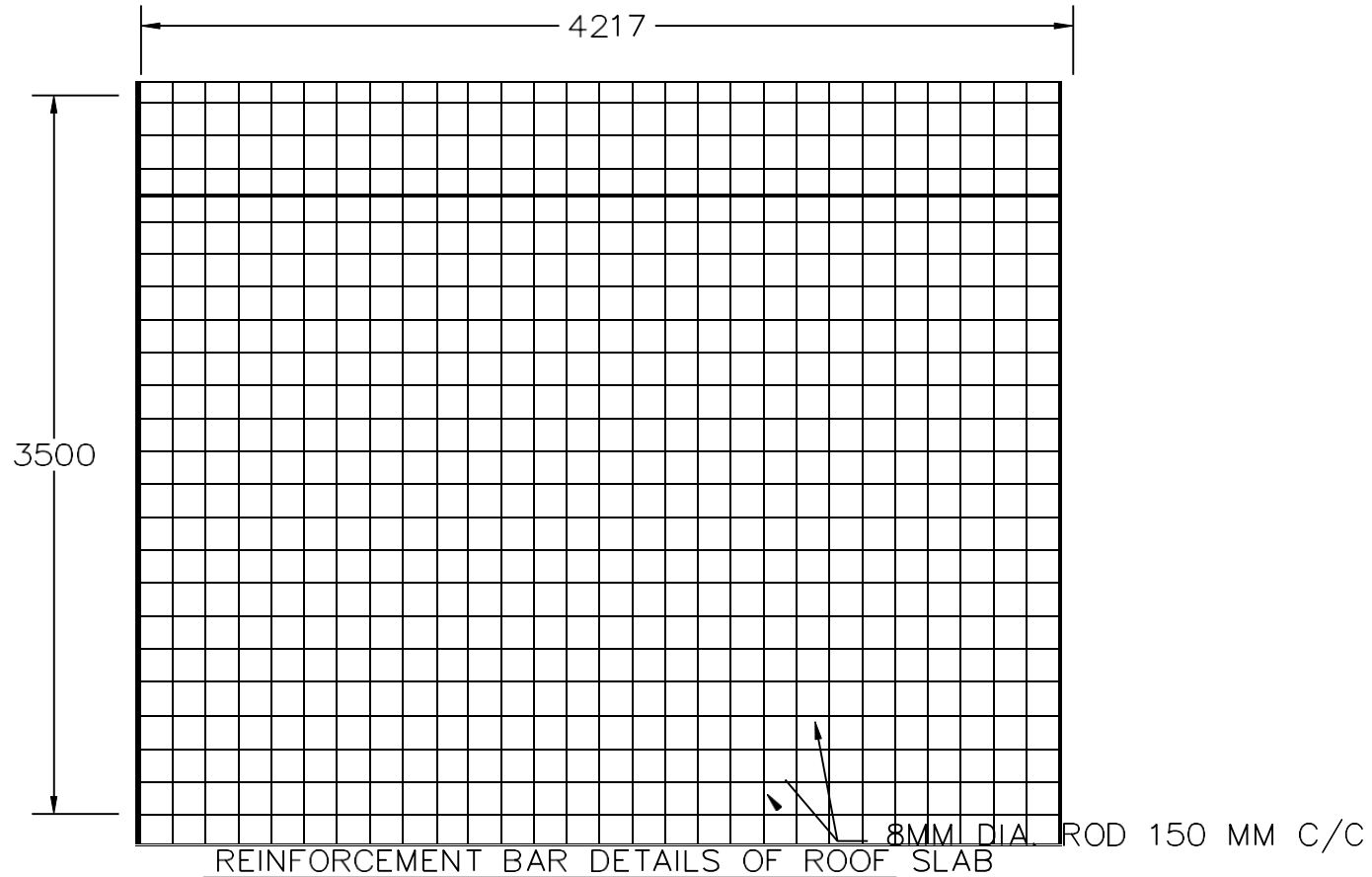
DETAILS OF HORIZONTAL & VERTICAL BARS ANCHORING BEAM



ISOMETRIC VIEW OF RCC BLOCK WITH 'H' BEAM

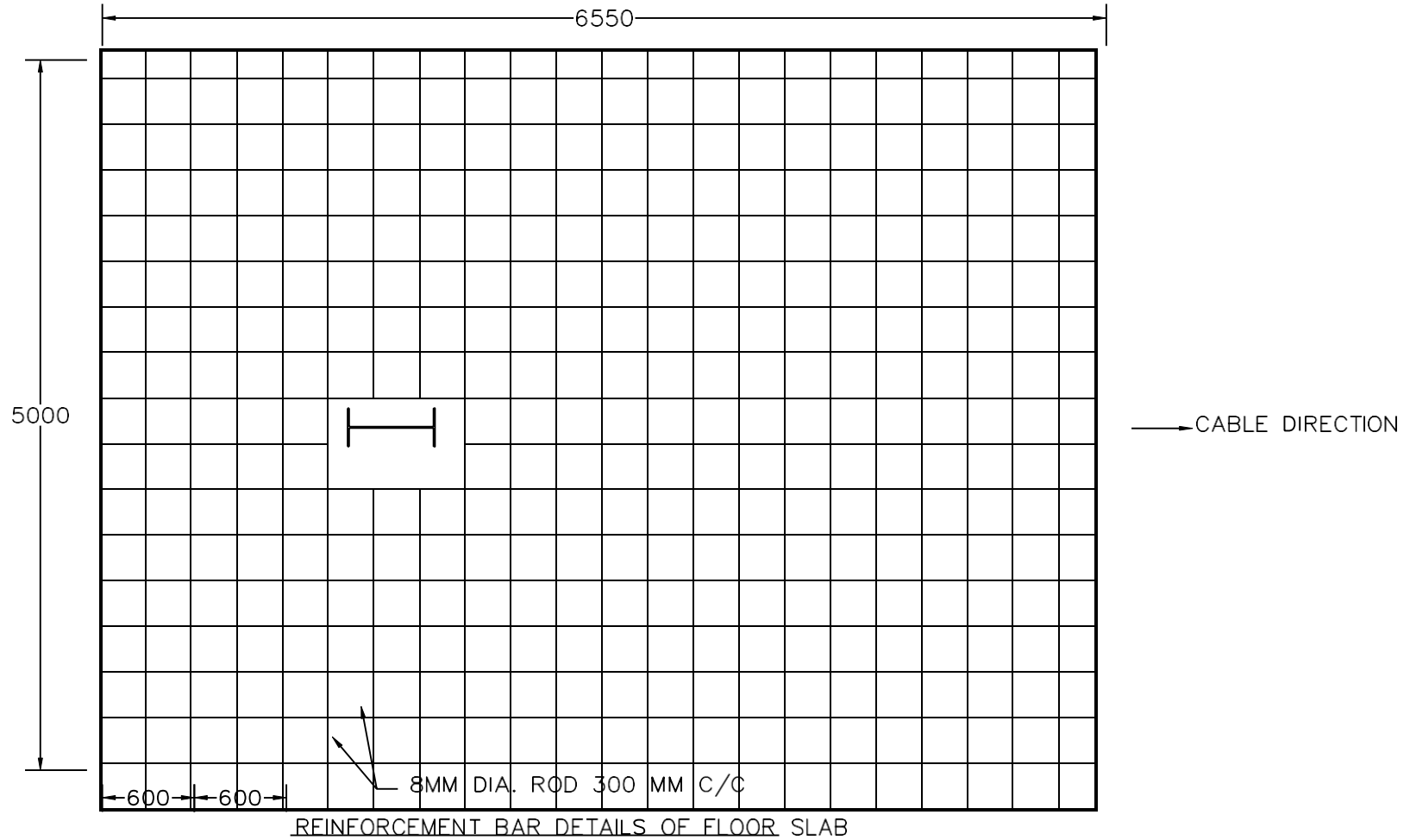
NOTE: ALL DIMENSION IN MM UNLESS OTHERWISE SPECIFIED

HYDROLOGY AND WATER RESOURCES SERVICES DIVISION  NATIONAL CENTER FOR HYDROLOGY & METEOROLOGY	DRAWING TITLE: Anchoring Beam Details		DATE:	SCALE: NTS	
	PROJECT TITLE: Construction of Cableway Station at Dangchhu, Wangdue	CHECKED BY: Jamyang Zangpo, Engineer, HWRSD	SHEET NUMBER:	REVISION NUMBER:	REVISION NOTE:
		APPROVED BY: Mr. Tayba Buddha Tamang, Chief Engineer	NOTES: All dimensions are in mm unless otherwise stated. Dimensions shall be read and drawings shall not be scaled.		



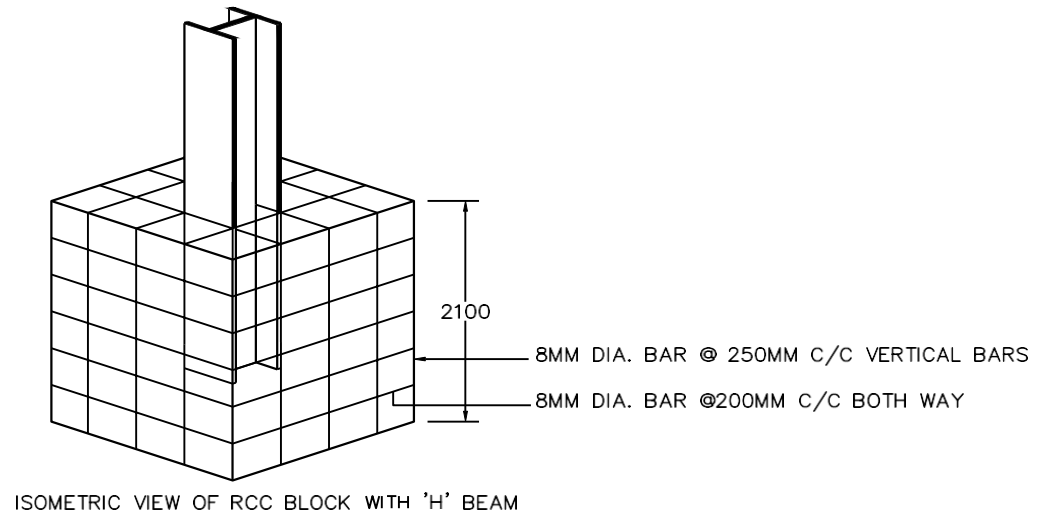
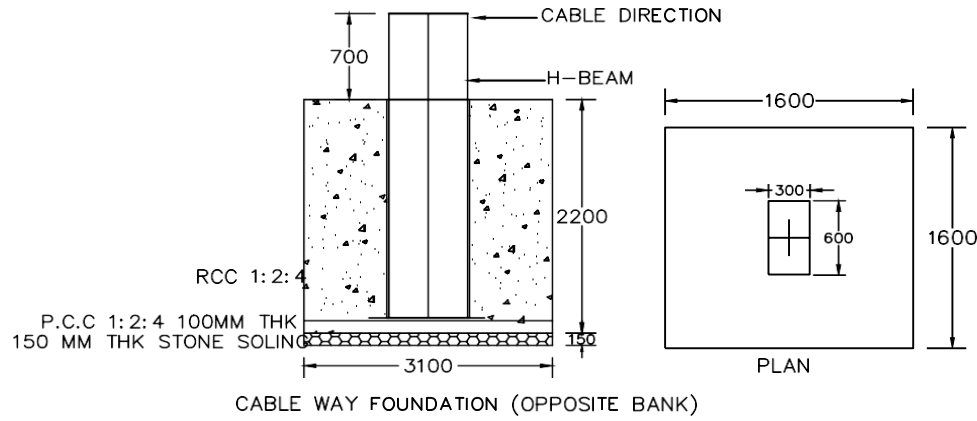
NOTE: ALL DIMENSION IN MM UNLESS OTHERWISE SPECIFIED

HYDROLOGY AND WATER RESOURCES SERVICES DIVISION  NATIONAL CENTER FOR HYDROLOGY & METEOROLOGY	DRAWING TITLE: Reinforcement BarDetails of Roof Slab	DRAWN BY: Pashupati Sharma,Principal HYD/Metl Officer, NCHM	DATE:		SCALE: NTS	
	PROJECT TITLE: Construction of CablewayStation at Dangchhu, Wangdue	CHECKED BY: Mr. Jamyang Zangpo, Engineer, HWRSD	SHEET NUMBER:	REVISION NUMBER:	REVISION NOTE:	
		APPROVED BY:	NOTES: All dimensions are in mm unless otherwise stated. Dimensions shall be read and drawings shall not be scaled.			



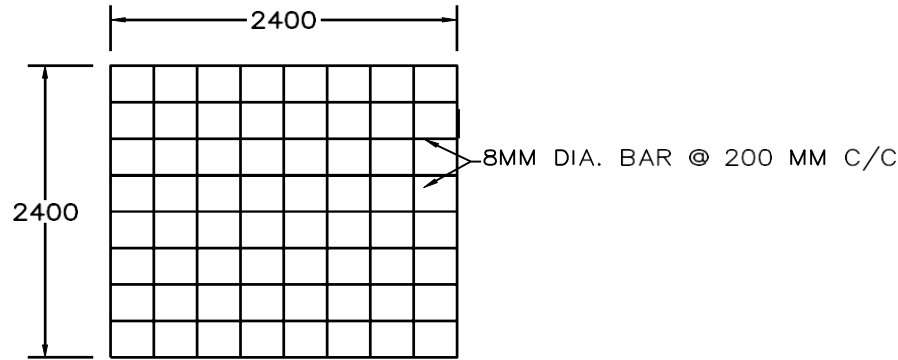
NOTE: ALL DIMENSION IN MM UNLESS OTHERWISE SPECIFIED

HYDROLOGY AND WATER RESOURCES SERVICES DIVISION  NATIONAL CENTER FOR HYDROLOGY & METEOROLOGY	DRAWING TITLE: Reinforcement Bar Details of Floor Slab	DRAWN BY: Pashupati Sharma, Principal Hyd/Met Officer, NCHM	DATE:		SCALE: NTS	
		CHECKED BY: Mr. Jamyang Zangpo, Engineer, HWRSD	SHEET NUMBER:	REVISION NUMBER:	REVISION NOTE:	
	PROJECT TITLE: Construction of Cableway Station at Dangchhu, Wangdue	APPROVED BY:	NOTES:  All dimensions are in mm unless otherwise stated. Dimensions shall be read and drawings shall not be scaled.			

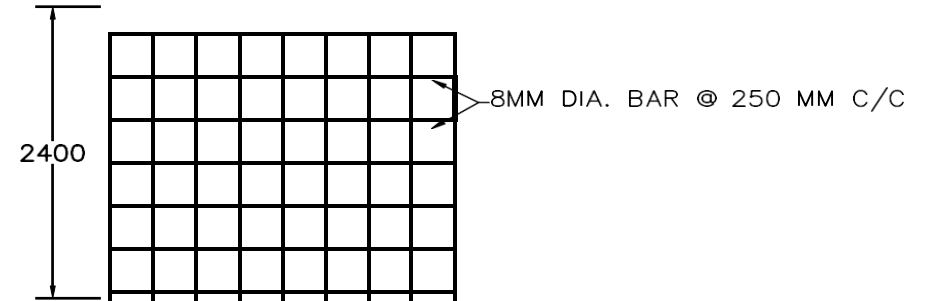


NOTE: ALL DIMENSION IN MM UNLESS OTHERWISE SPECIFIED

HYDROLOGY AND WATER RESOURCES SERVICES DIVISION  NATIONAL CENTER FOR HYDROLOGY & METEOROLOGY	DRAWING TITLE: H-Beam Foundation Details (Opposite Bank)	DRAWN BY: Pashupati Sharma, Principal Hyd/Met Officer, NCHM		DATE:		SCALE: NTS	
		CHECKED BY: Mr. Jamyang Zangpo, Engineer, HWRSD		SHEET NUMBER:	REVISION NUMBER:	REVISION NOTE:	
	PROJECT TITLE: Construction of Cableway Station at Dangchhu, Wangdue		APPROVED BY:		NOTES:		
				All dimensions are in mm unless otherwise stated. Dimensions shall be read and drawings shall not be scaled.			



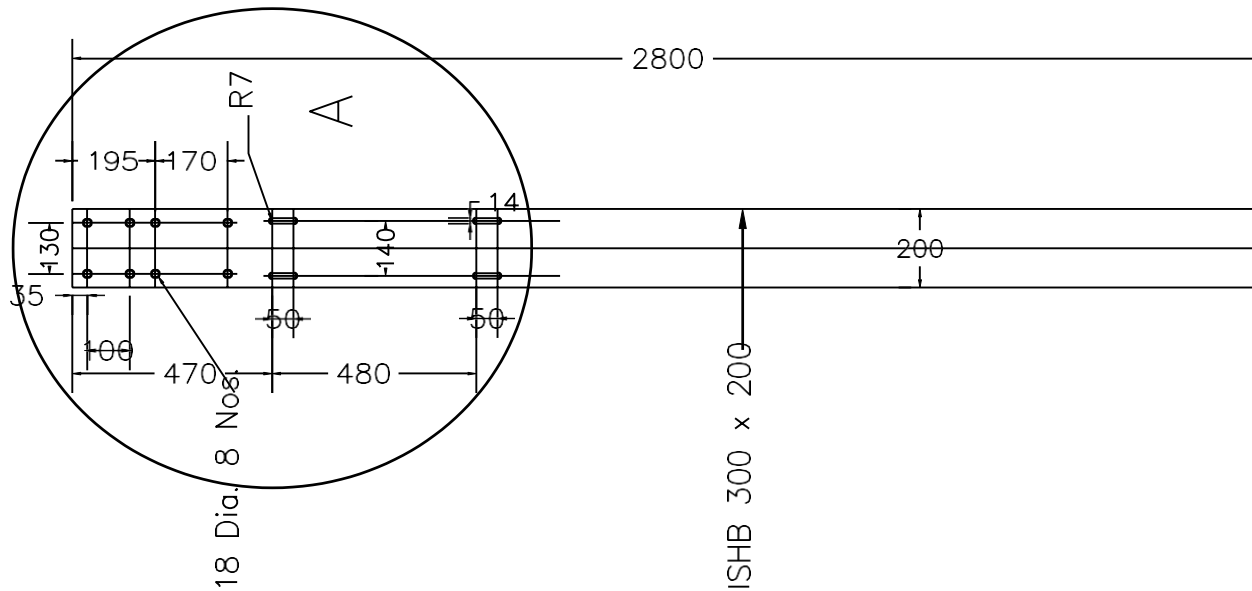
DETAIL OF HORIZONTAL POSITIVE AND NEGATIVE BARS ANCHORING BEAM



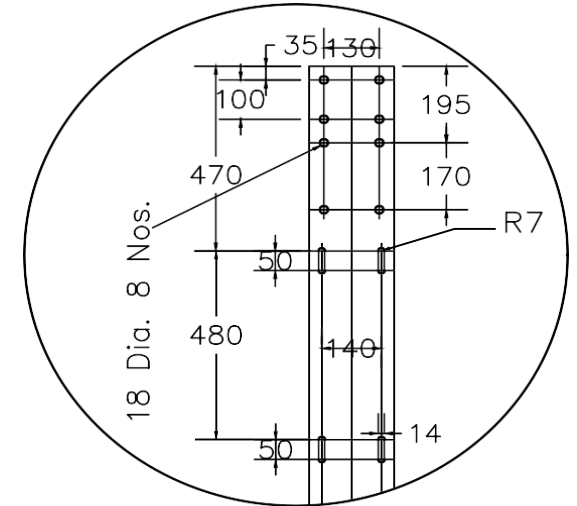
DETAIL OF VERTICAL BARS ANCHORING BEAM

NOTE: ALL DIMENSION IN MM UNLESS OTHERWISE SPECIFIED

HYDROLOGY AND WATER RESOURCES SERVICES DIVISION  NATIONAL CENTER FOR HYDROLOGY & METEOROLOGY	DRAWING TITLE: Detail of Horizontal and Vertical Bars of Anchoring Beam	DRAWN BY: Mr. Sangay Tempa, Engineer, Regional Office, Bumthang	DATE:	SCALE: NTS
	PROJECT TITLE: Construction of Cableway Station at Dangchhu, Wangdue	CHECKED BY: Mr. Jamyang Zangpo, Engineer, HWRSD	SHEET NUMBER:	REVISION NUMBER:  REVISION NOTE:
		APPROVED BY: Mr. Tayba Buddha Tamang, Chief Engineer, HWRSD	NOTES:  All dimensions are in mm unless otherwise stated. Dimensions shall be read and drawings shall not be scaled.	



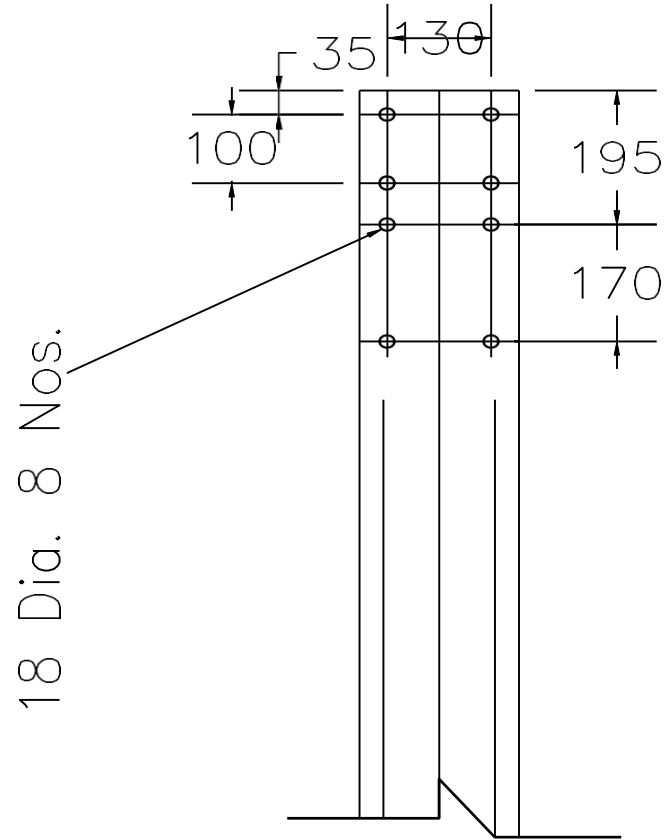
DETAILS FOR FABRICATION



DETAILS OF - A

NOTE: ALL DIMENSION ARE IN MM

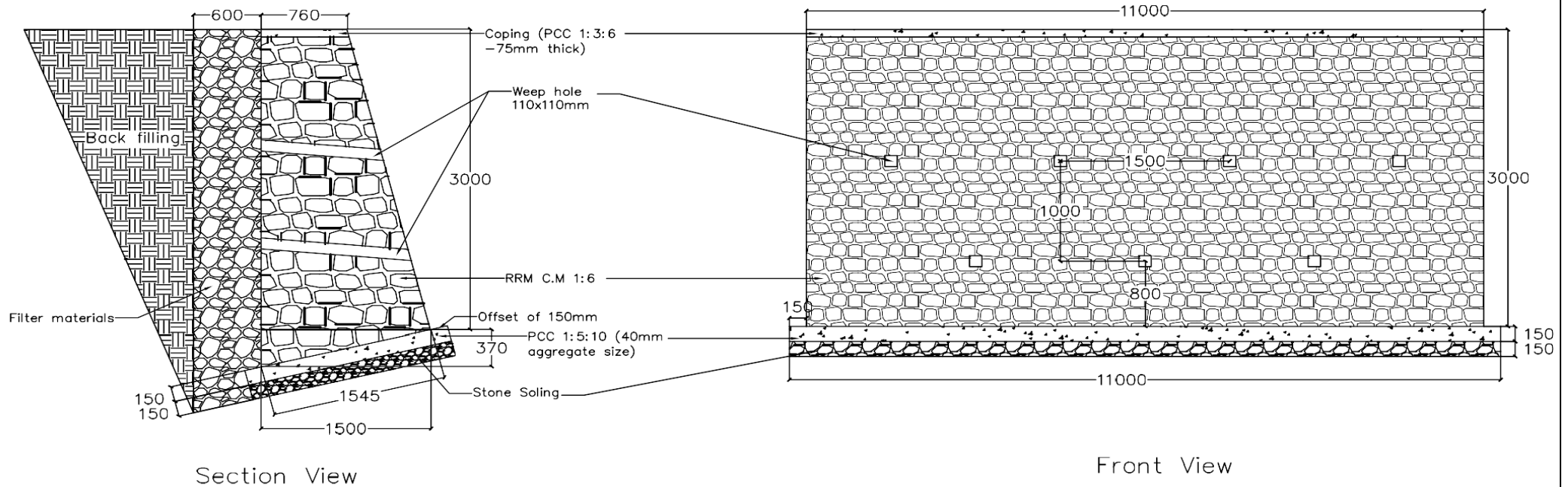
HYDROLOGY AND WATER RESOURCES SERVICES DIVISION  NATIONAL CENTER FOR HYDROLOGY & METEOROLOGY	DRAWING TITLE: Details of H-Beam for Fabrication	DRAWN BY: Mr. Sangay Tempa, Engineer, Regional Office, Bumthang	DATE:		SCALE: NTS	
	PROJECT TITLE: Construction of Cableway Station at Dangchhu, Wangdue	CHECKED BY: Mr. Jamyang Zangpo, Engineer, HWRSD	SHEET NUMBER:	REVISION NUMBER:	REVISION NOTE:	
		APPROVED BY: Mr. Tayba Buddha Tamang, Chief Engineer, HWRSD	NOTES:  All dimensions are in mm unless otherwise stated. Dimensions shall be read and drawings shall not be scaled.			



DETAILS OF H-BEAM AT OPPOSITE BANK

HYDROLOGY AND WATER RESOURCES SERVICES DIVISION  NATIONAL CENTER FOR HYDROLOGY & METEOROLOGY	DRAWING TITLE: Details of H-Beam at Opposite Bank	DRAWN BY: Mr. Sangay Tempa, Engineer, Regional Office, Bumthang	DATE:		SCALE: NTS	
	PROJECT TITLE: Construction of Cableway Station at Dangchhu, Wangdue	CHECKED BY: Mr. Jamyang Zangpo, Engineer, HWRSD	SHEET NUMBER:	REVISION NUMBER:	REVISION NOTE:	
		APPROVED BY: Mr. Tayba Buddha Tamang, Chief Engineer, HWRSD	NOTES:  All dimensions are in mm unless otherwise stated. Dimensions shall be read and drawings shall not be scaled.			

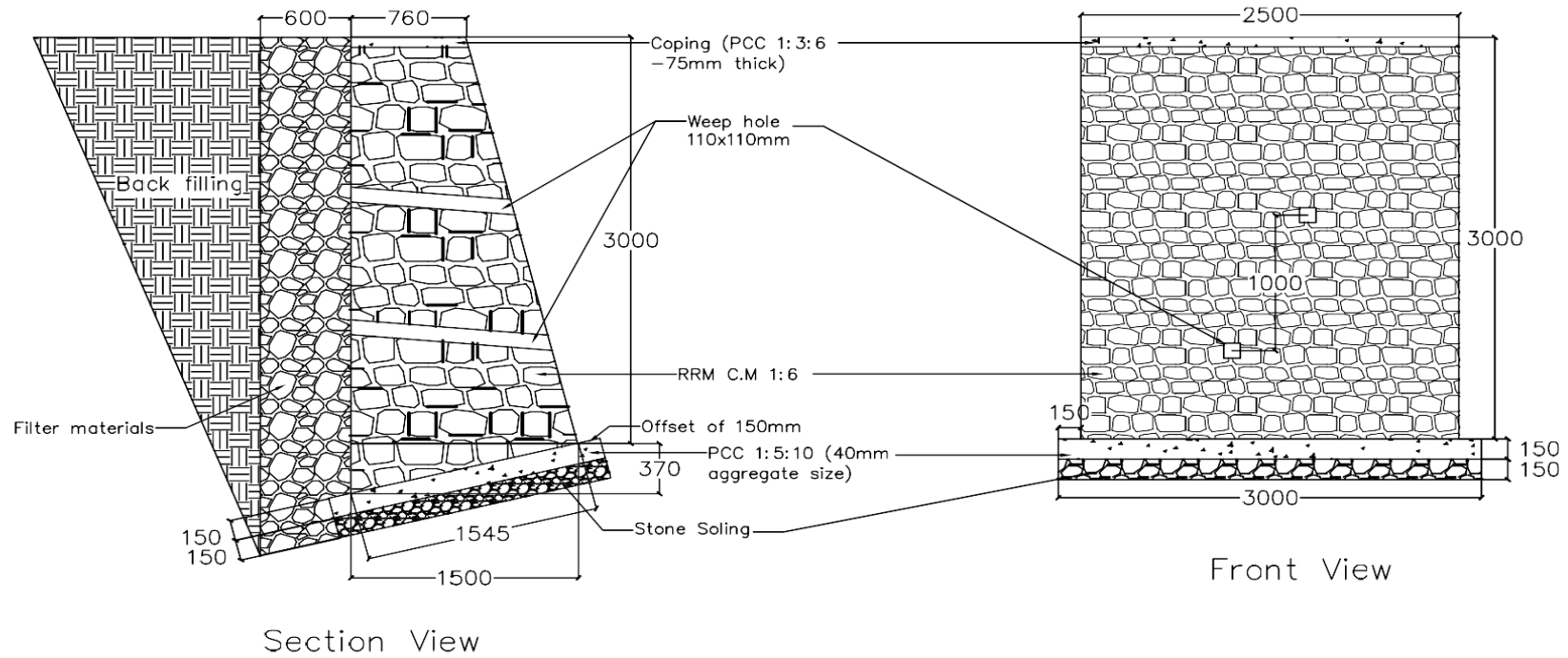




Notes:

1. The 110x110mm weep holes shall be with 5° outward slope.
2. First layer of weep holes shall be kept at 0.80m from the base, after which weep holes shall be placed at an interval of 1m for vertical alignment and 1.5m for horizontal alignment. The layers shall be in a staggered pattern.
3. Back filling shall be selected granular materials laid and compacted in layers not exceeding 200mm.
4. All dimensions are in millimeter(mm) unless stated otherwise.

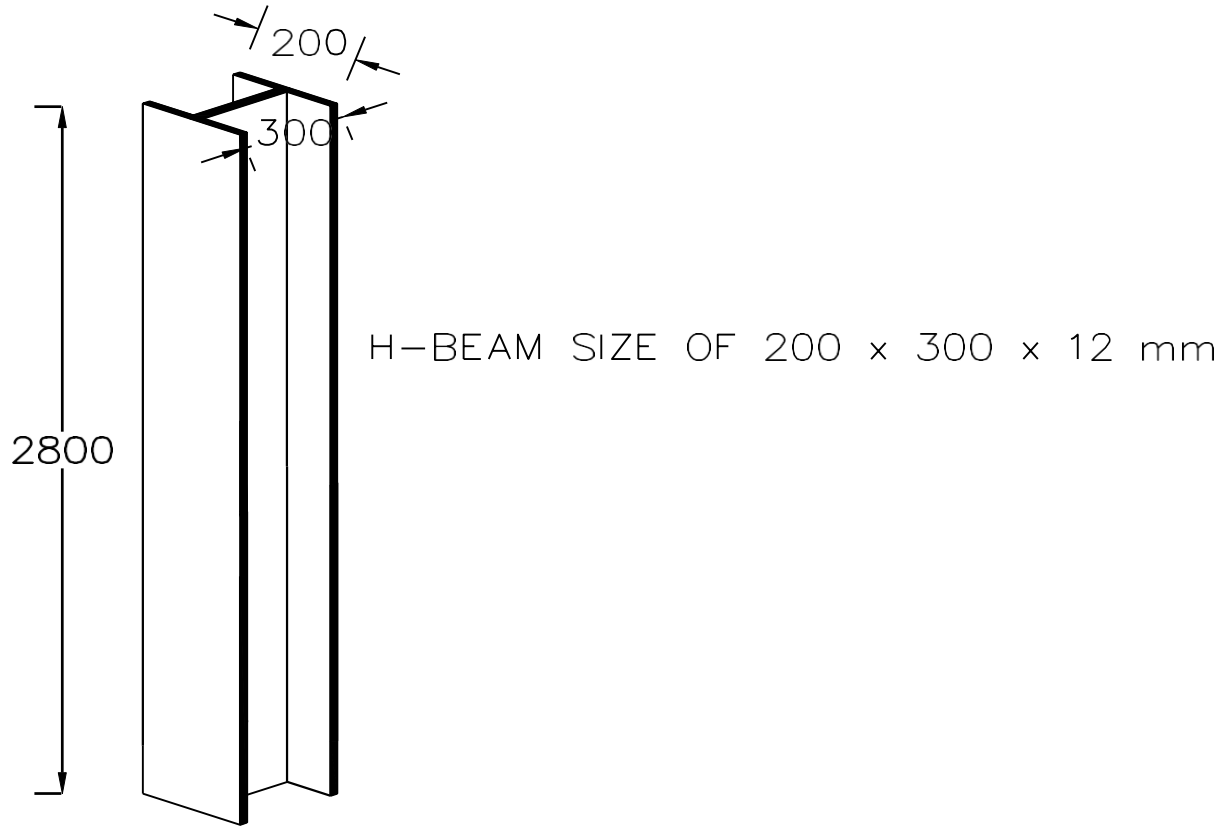
<p>HYDROLOGY AND WATER RESOURCES SERVICES DIVISION</p> <p>NATIONAL CENTER FOR HYDROLOGY &amp; METEOROLOGY</p>	<p>DRAWING TITLE: Bottom Side Retaining Wall Details</p>	<p>DRAWN BY: Mr. Sangay Tempa, Engineer, Regional Office, Bumthang</p>	<p>DATE:</p>		<p>SCALE: NTS</p>	
	<p>PROJECT TITLE: Construction of Cableway Station at Dangchhu, Wangdue</p>	<p>CHECKED BY: Mr. Jamyang Zangpo, Engineer, HWRSD</p>	<p>SHEET NUMBER:</p>	<p>REVISION NUMBER:</p>	<p>REVISION NOTE:</p>	
			<p>APPROVED BY: Mr. Tayba Buddha Tamang, Chief Engineer, HWRSD</p>	<p>NOTES:</p> <p>All dimensions are in mm unless otherwise stated. Dimensions shall be read and drawings shall not be scaled.</p>		



Notes:

1. The 110x110mm weep holes shall be with 5° outward slope.
2. First layer of weep holes shall be kept at 0.80m from the base, after which weep holes shall be placed at an interval of 1m for vertical alignment and 1.5m for horizontal alignment. The layers shall be in a staggered pattern.
3. Back filling shall be selected granular materials laid and compacted in layers not exceeding 200mm.
4. All dimensions are in millimeter(mm) unless stated otherwise.

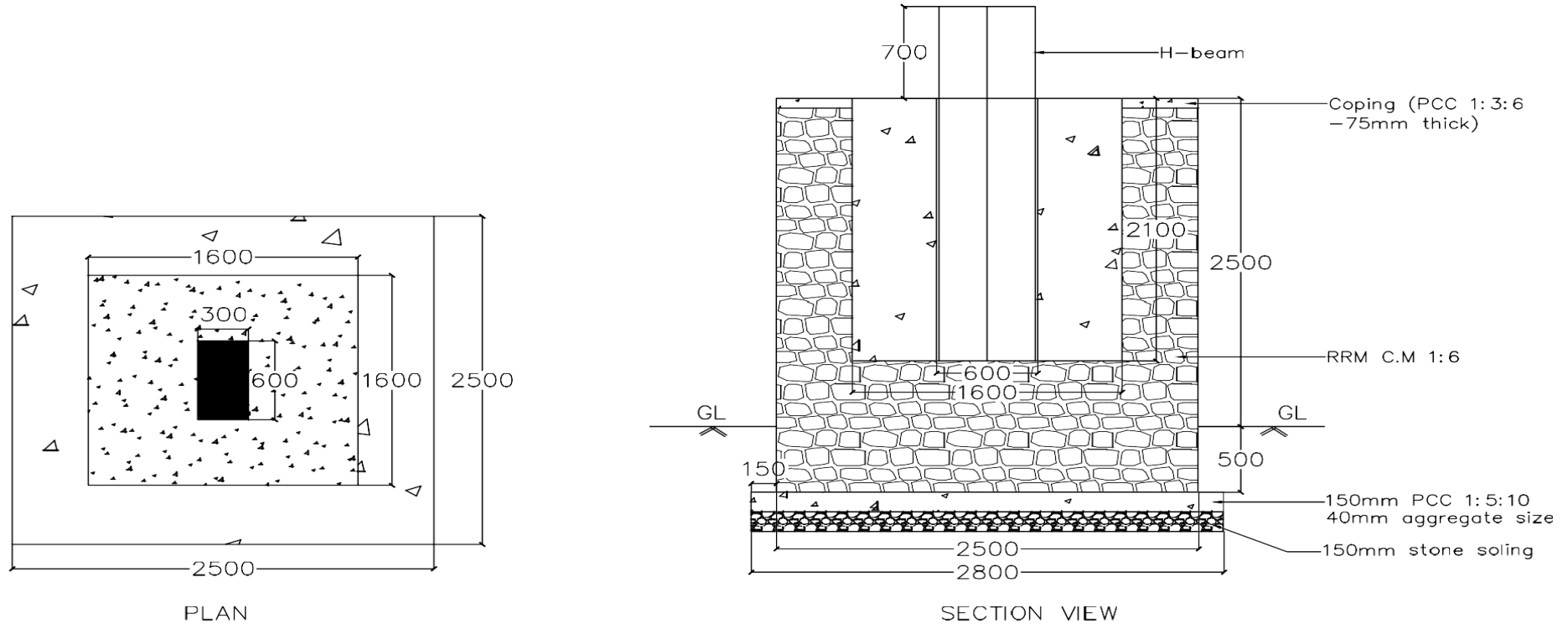
HYDROLOGY AND WATER RESOURCES SERVICES DIVISION  NATIONAL CENTER FOR HYDROLOGY & METEOROLOGY	DRAWING TITLE: Sides Retaining Wall Details	DRAWN BY: Mr. Sangay Tempa, Engineer, Regional Office, Bumthang	DATE:	SCALE: NTS	
	PROJECT TITLE: Construction of Cableway Station at Dangchhu, Wangdue	CHECKED BY: Mr. Jamyang Zangpo, Engineer, HWRSD	SHEET NUMBER:	REVISION NUMBER:	REVISION NOTE:
		APPROVED BY: Mr. Tayba Buddha Tamang, Chief Engineer, HWRSD	NOTES:  All dimensions are in mm unless otherwise stated. Dimensions shall be read and drawings shall not be scaled.		



ISOMETRIC VIEW OF 'H' BEAM

NOTE: ALL DIMENSION ARE IN MM

HYDROLOGY AND WATER RESOURCES SERVICES DIVISION  NATIONAL CENTER FOR HYDROLOGY & METEOROLOGY	DRAWING TITLE: Isometric View of H-Beam	DRAWN BY: Mr. Sangay Tempa, Engineer, Regional Office, Bumthang	DATE:		SCALE: NTS	
		CHECKED BY: Mr. Jamyang Zangpo, Engineer, HWRSD	SHEET NUMBER:	REVISION NUMBER:	REVISION NOTE:	
	PROJECT TITLE: Construction of Cableway Station at Dangchhu, Wangdue	APPROVED BY: Mr. Tayba Buddha Tamang, Chief Engineer, HWRSD	NOTES:			
		All dimensions are in mm unless otherwise stated. Dimensions shall be read and drawings shall not be scaled.				



DETAILS OF H-BEAM ON OPPOSITE BANK

HYDROLOGY AND WATER RESOURCES SERVICES DIVISION  NATIONAL CENTER FOR HYDROLOGY & METEOROLOGY	DRAWING TITLE: Opposite Bank H-beam details	DRAWN BY: Mr. Sangay Tempa, Engineer, Regional Office, Bumthang	DATE:	SCALE: NTS	
	PROJECT TITLE: Construction of Cableway Station at Dangchhu, Wangdue	CHECKED BY: Mr. Jamyang Zangpo, Engineer, HWRSD	SHEET NUMBER:	REVISION NUMBER:	REVISION NOTE:
		APPROVED BY: Mr. Tayba Buddha Tamang, Chief Engineer, HWRSD	NOTES:  All dimensions are in mm unless otherwise stated. Dimensions shall be read and drawings shall not be scaled.		

Name of Bidder [.....] Signature of Bidder [.....] Date [.....]